

COLE

A great big presence earns this little giant
its place in the spotlight.

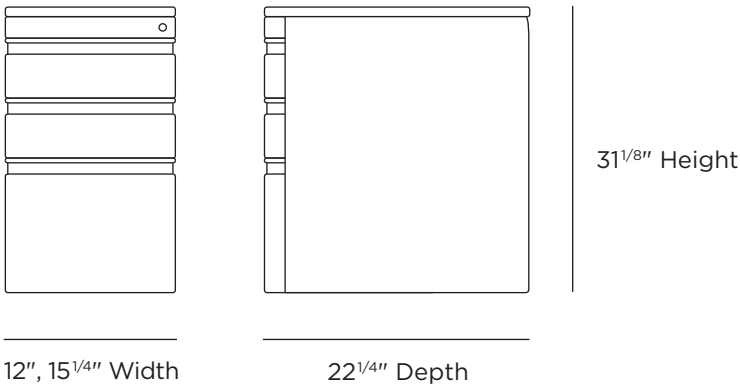


COLE

Cole has a hefty build that comes in handy for stashing files, backpacks, and water bottles. Who could ask for anything more?

- Available in 31¹/₈" height, and 12" or 15¹/₄" widths to accommodate your storage needs.
- 22¹/₄" depth works with a variety of work surfaces.
- Peds can be equipped with two 6" drawers and one 12" file drawer, or two 12" file drawers.

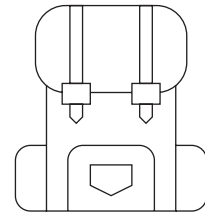
DIMENSIONS



COLE CAN FIT...



Water Bottles



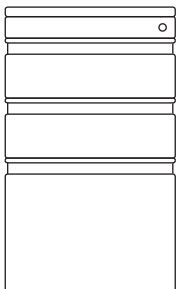
Backpacks



Headphones

DRAWER CONFIGURATIONS

31¹/₈" HEIGHT



Two Drawer
(6" Height)

One File Drawer
(12" Height)



Two File Drawer
(12" Height)

COLE WORKSHEET

For each step, choose your option and write the corresponding code in the grey box at the right. If you plan to choose custom colors or materials, please contact your rep instead of completing this sheet.

<div style="display: flex; align-items: center;"> <div style="border: 1px solid black; border-radius: 50%; width: 40px; height: 40px; display: flex; align-items: center; justify-content: center; margin-right: 10px;">1</div> <div> <h2 style="margin: 0;">DIMENSIONS</h2> <p style="margin: 5px 0 0 0;">Select the width of your mobile ped, and your preferred drawer configuration. Write the corresponding code and price in the grey boxes.</p> </div> </div>	DRAWER CONFIGURATION	CODE	LIST PRICE
	31 ¹ / ₁₆ " x 12" x 22 ¹ / ₄ ", Two, 6" Drawer and 12" File	1226	\$737.57
	31 ¹ / ₈ " x 12" x 22 ¹ / ₄ ", Two, 12" File	12212	\$694.44
	31 ¹ / ₈ " x 15 ¹ / ₄ " x 22 ¹ / ₄ ", Two, 6" Drawer and 12" File	1526	\$892.18
	31 ¹ / ₈ " x 15 ¹ / ₄ " x 22 ¹ / ₄ ", Two, 12" File	15212	\$836.62
	A		
	CODE		
	B		
	\$		

<div style="display: flex; align-items: center;"> <div style="border: 1px solid black; border-radius: 50%; width: 40px; height: 40px; display: flex; align-items: center; justify-content: center; margin-right: 10px;">2</div> <div> <h2 style="margin: 0;">COLOR</h2> <p style="margin: 5px 0 0 0;">Mobile peds can be finished in 22 standard colors, including a clear coat that lets the natural material show through. Pick your favorite and write the code in the grey box.</p> </div> </div>	COLOR	CODE
	Red	M1
	Orange	M2
	Yellow	M3
	Blue	M4
	Green	M5
	Inter Red	M6
	Safety Orange	M7
	Western Tan	M8
	Slate Blue	M9
	Forest Green	M10
	Dark Brown	M11
	Graphite	M12
	Sandstone	M13
	Light Tan	M14
	Clear	M15
	Black	M16
	Astro Grey	M17
	Arctic White	M18
	Frame Grey	M19
	Platinum Grey	M20
	Champagne Metallic	M21
Battleship Grey	M22	
	C	
	CODE	

ITEM NUMBER	NAME	A	C	
	CO			To complete your order, please transfer the codes from your worksheet to this section.

TOTAL <div style="display: flex; justify-content: space-between; align-items: center; margin-top: 10px;"> _____ x _____ = </div> <div style="display: flex; justify-content: space-between; align-items: center; margin-top: 5px;"> B QUANTITY </div>	GRAND TOTAL <div style="display: flex; align-items: center; margin-top: 10px;"> \$ _____ </div>
---	--