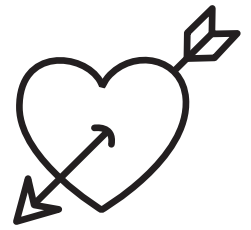


SONNY

Twin lockers on a desk elevates
Sonny to another level.



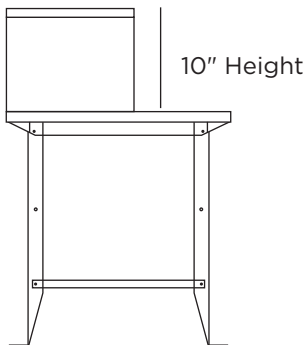
SONNY

A set of table-top lockers takes your workspace up a notch.

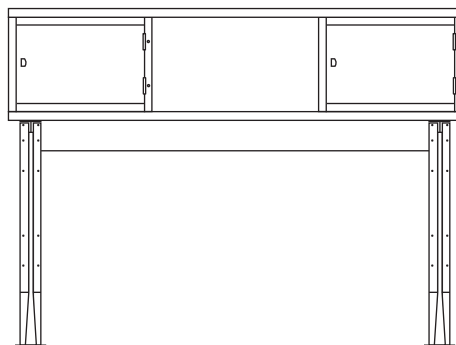
- 30" or 34" heights provide a comfortable working height.
- 60," 72", 84", or 96" widths accommodate multiple spaces and activities.
- 15" depth suit various applications.
- Wood or laminate surfaces help you customize the look.

DIMENSIONS

15" Depth



60", 72", 84", 96" Width



SIZE SAMPLING



15" x 60"



15" x 72"

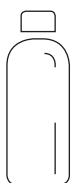


15" x 84"

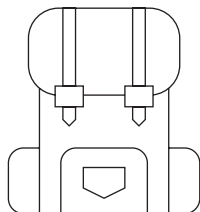


15" x 96"

SONNY CAN FIT...



Water Bottles



Backpacks



Headphones

SONNY WORKSHEET

For each step, choose your option and write the corresponding code in the grey box at the right. If you plan to choose custom colors or materials, please contact your rep instead of completing this sheet.

<p>1 DIMENSIONS</p> <p>Choose the width of your desk and write the number in the grey box at right. We've written in the depth for you.</p>	WIDTH		DEPTH	
	60"		15"	
	72"		15"	
	84"		15"	
	96"		15"	
		WIDTH		DEPTH
				15"
<p>2 TABLE TOP</p> <p>Our wide variety of wood and laminate surfaces let you get creative with the look of your desk. Choose your favorite material and write the code and price in the grey boxes.</p> <p>Have something else in mind? We also do custom surfaces. Just call your rep to discuss.</p>	WOOD	DEPTH	CODE	LIST PRICE
	Cherry	1.25"	W1	\$150.00
	Multispecies	1.25"	W2	\$145.00
	Walnut	1.25"	W3	\$150.00
	Ash	1.25"	W4	\$150.00
	Butcher Block (Maple)	1.75"	WS2	\$80.00
		2.25"	WS3	\$100.00
	LAMINATE		CODE	LIST PRICE
	Designer White		L1	\$47.00
	Vapor Strandz		L2	\$47.00
	Manitoba Maple		L3	\$47.00
	Fusion Maple		L4	\$47.00
	Fashion Grey		L5	\$47.00
	North Sea		L6	\$47.00
	Astro Strandz		L7	\$47.00
	Windsor Mahogany		L8	\$47.00
	Cement		L9	\$47.00
	Shadow		L10	\$47.00
	Forged Steel		L11	\$47.00
	Cocobala		L12	\$47.00
	Asian Night		L13	\$47.00
	Black		L14	\$47.00
Slate Grey		L15	\$47.00	
		A		
		CODE		
		D		
		\$		
<p>3 PEDESTALS</p> <p>Write the price in the box at right.</p>	DOOR CONFIGURATION		LIST PRICE	
	18" x 15" x 10", 1 Door Pedestal		\$765.56	
			B	
		\$		

4 COLOR

Our pedestals can be finished in 22 standard colors, including a clear coat that lets the natural material show through. Pick your favorite and write the code in the grey box.

COLOR	CODE	COLOR	CODE
Red	M1	Graphite	M12
Orange	M2	Sandstone	M13
Yellow	M3	Light Tan	M14
Blue	M4	Clear	M15
Green	M5	Black	M16
Inter Red	M6	Astro Grey	M17
Safety Orange	M7	Arctic White	M18
Western Tan	M8	Frame Grey	M19
Slate Blue	M9	Platinum Grey	M20
Forest Green	M10	Champagne Metallic	M21
Dark Brown	M11	Battleship Grey	M22
			C
			CODE

ITEM NUMBER	NAME	WIDTH	A	C	To complete your order, please transfer the codes from your worksheet to this section.	
	SN					
TOP SQ FT	WIDTH		X	DEPTH		TOP SQ FT
				15	÷ 144	
TOP PRICE	TOP SQ FT		X	D		TOP PRICE
					=	
UNIT + OPTIONS	TOP PRICE		+	B		UNIT PRICE
				765.56	=	
TOTAL					GRAND TOTAL	
_____ X _____ = UNIT PRICE QUANTITY					\$ _____	