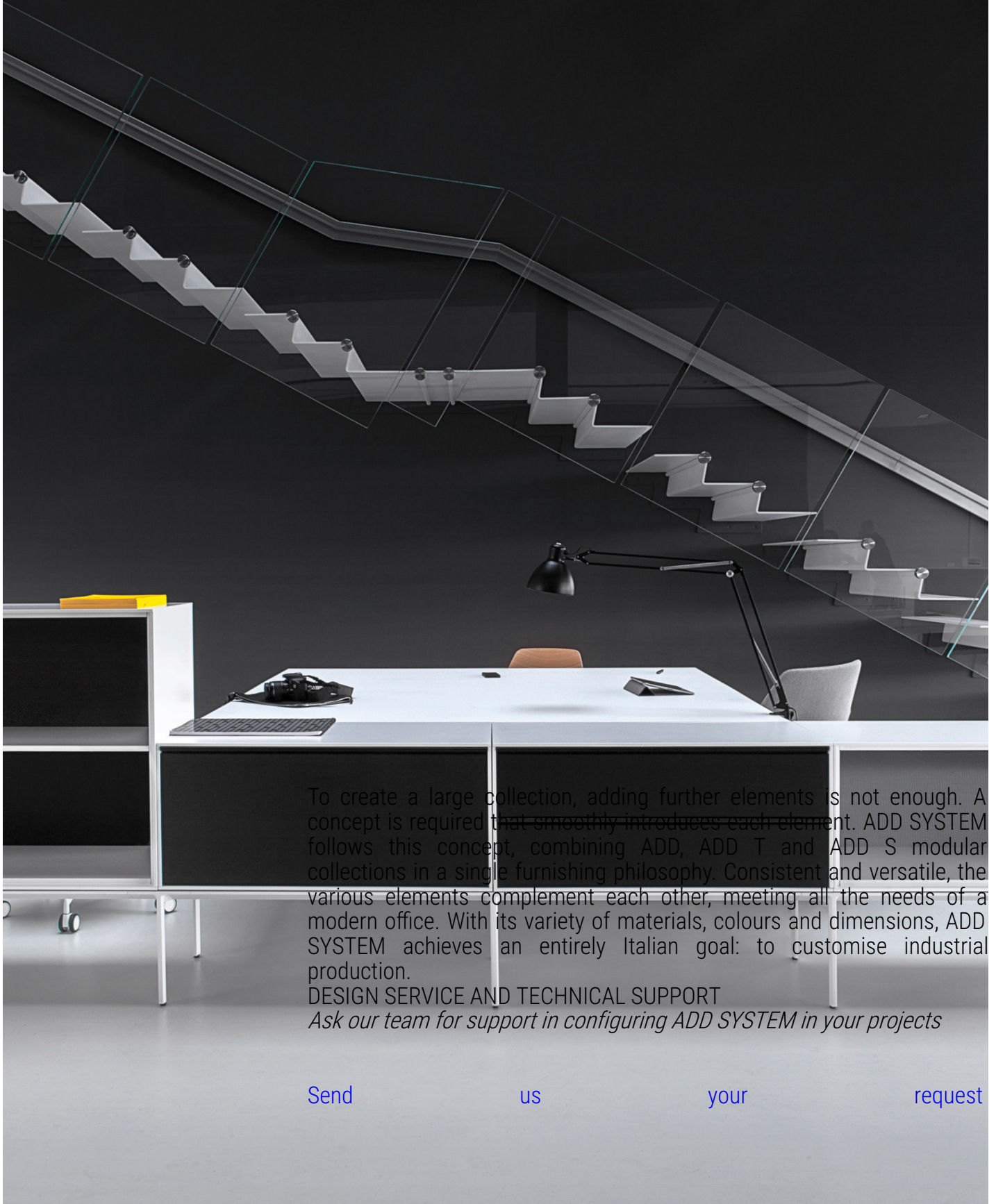


ADD SYSTEM

Francesco Rota | 2016



To create a large collection, adding further elements is not enough. A concept is required that smoothly introduces each element. ADD SYSTEM follows this concept, combining ADD, ADD T and ADD S modular collections in a single furnishing philosophy. Consistent and versatile, the various elements complement each other, meeting all the needs of a modern office. With its variety of materials, colours and dimensions, ADD SYSTEM achieves an entirely Italian goal: to customise industrial production.

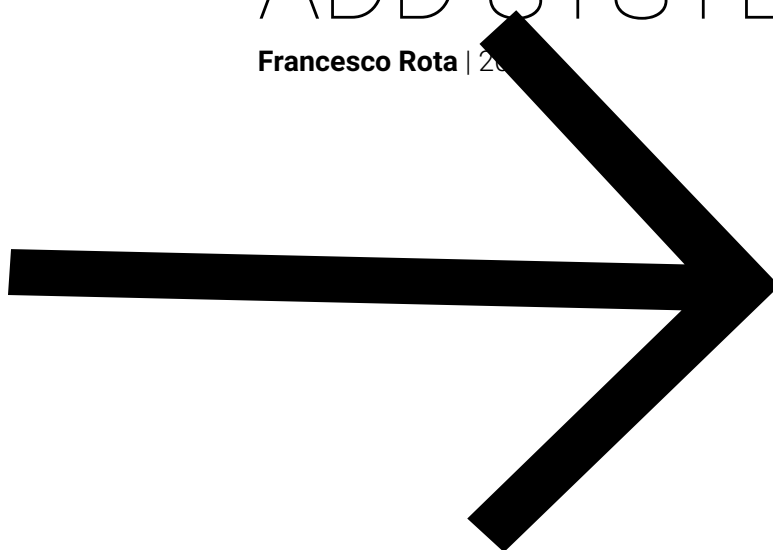
DESIGN SERVICE AND TECHNICAL SUPPORT

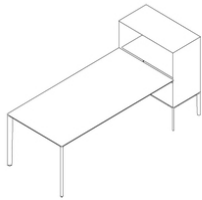
Ask our team for support in configuring ADD SYSTEM in your projects

Send us your request

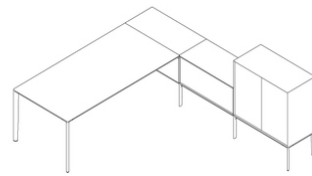
ADD SYSTEM

Francesco Rota | 2010

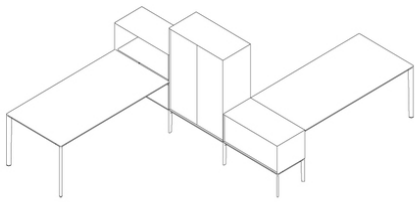




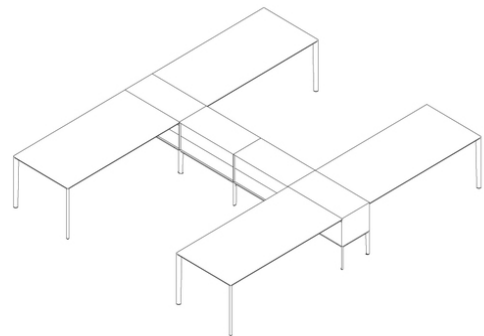
L_shape



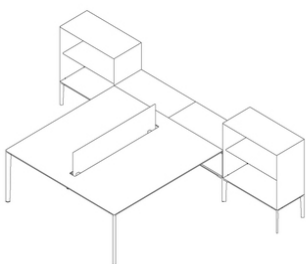
L_shape



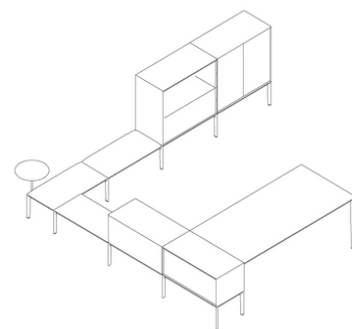
S_shape



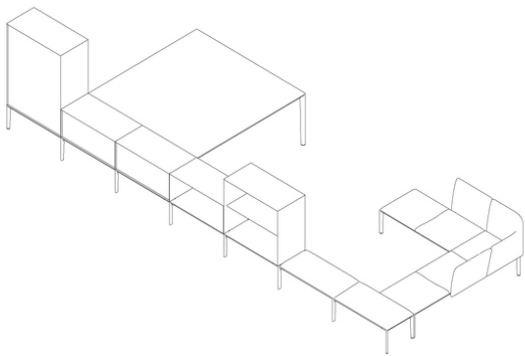
H_shape



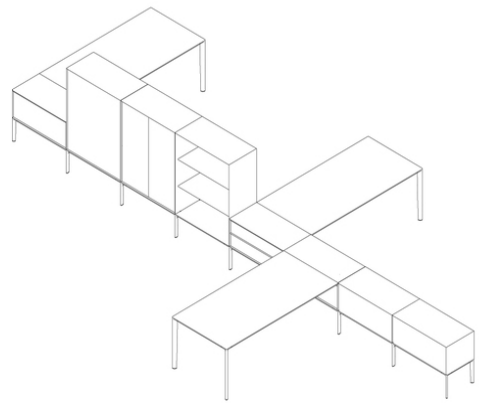
T_shape



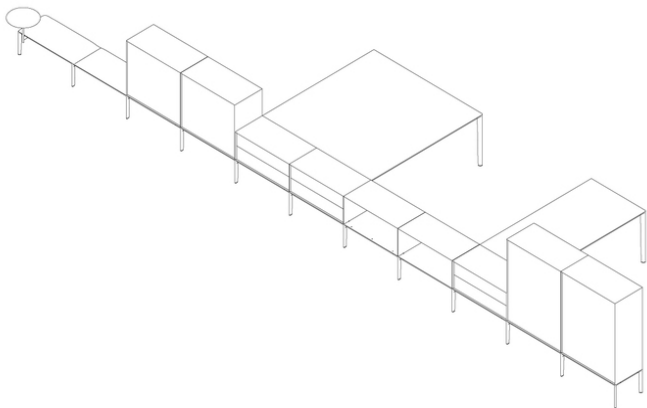
U_shape — executive



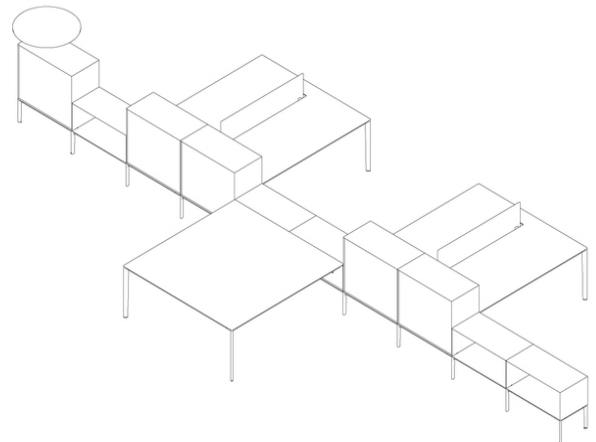
Meeting



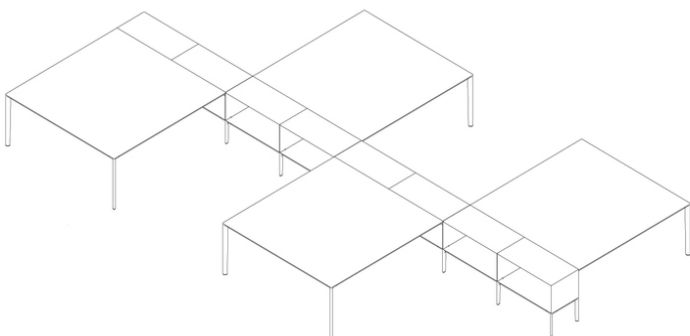
Asymmetrical workstation 1



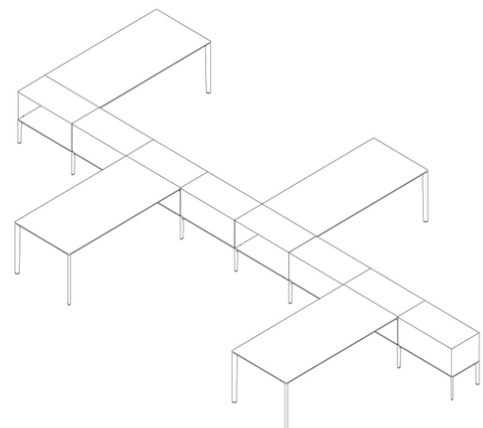
Asymmetrical workstation 2



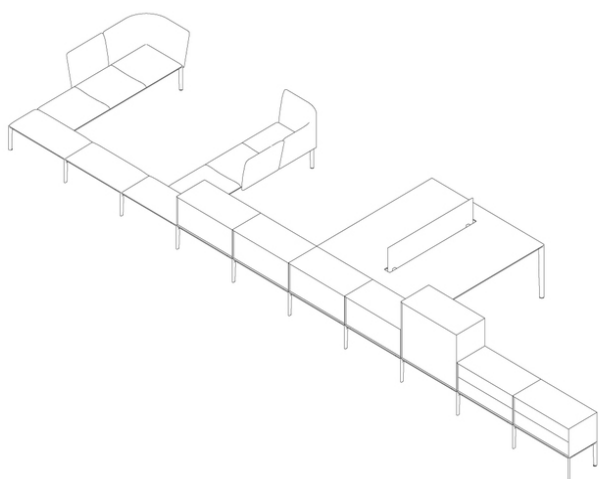
Asymmetrical workstation 3



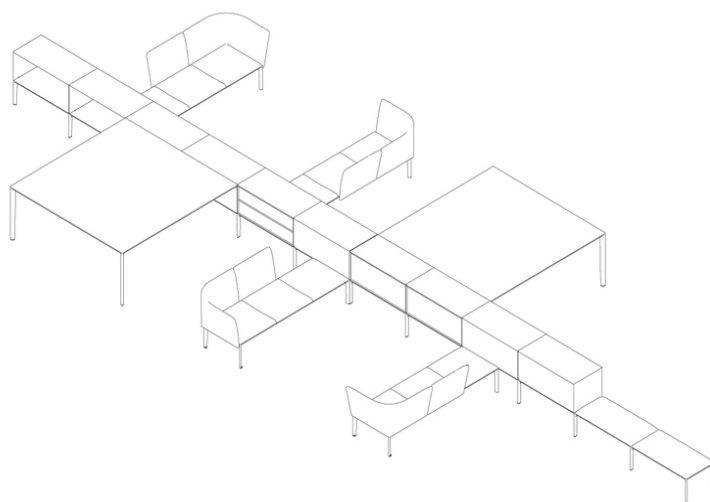
Symmetrical workstation – square



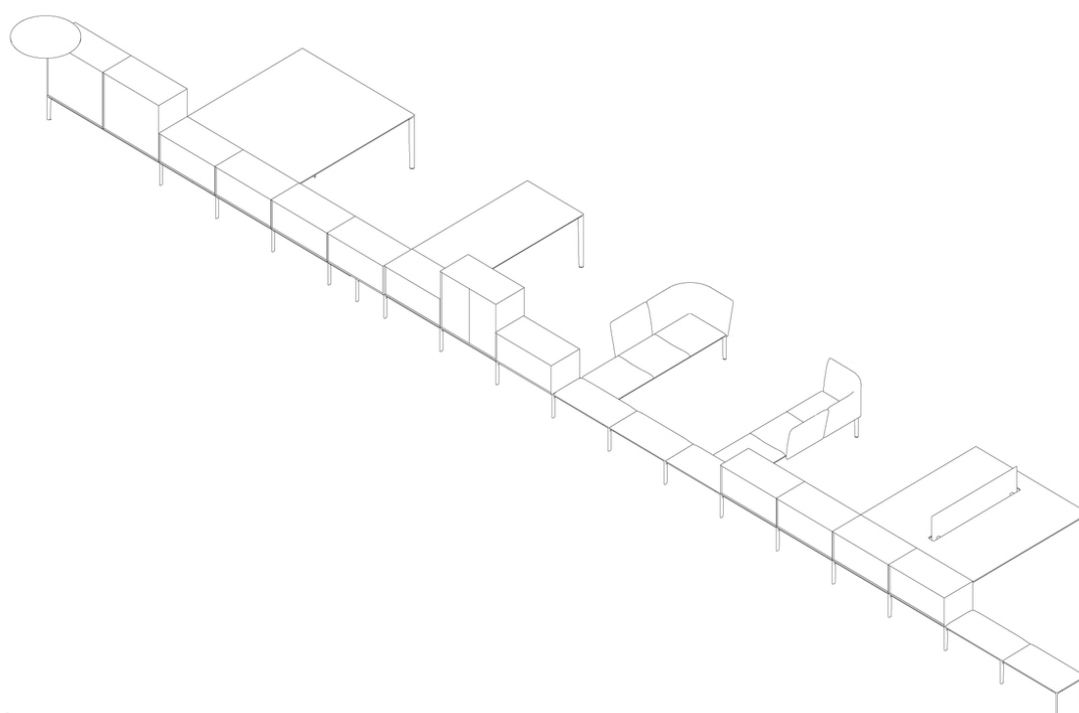
Symmetrical workstation – rectangular



Complex office — small



Complex office symmetrical — medium



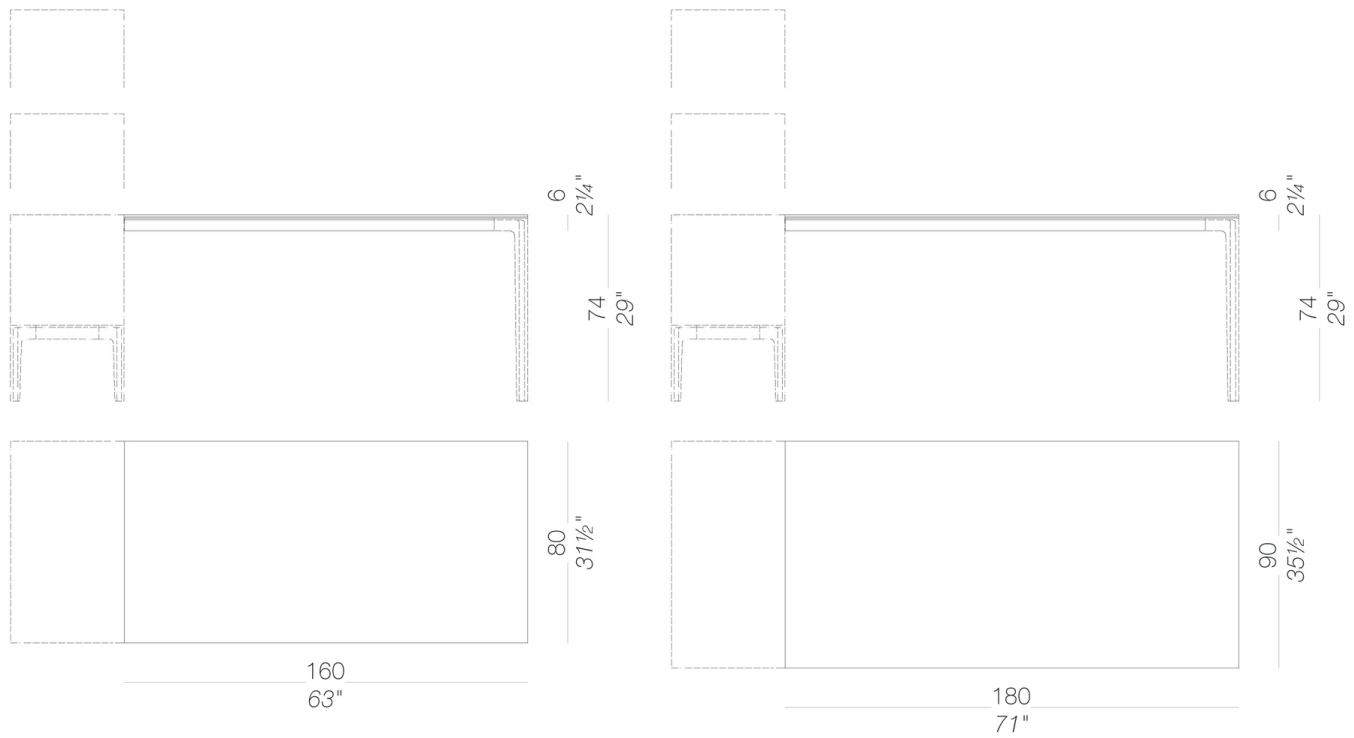
Complex office — big

ADD SYSTEM

Francesco Rota | 2016

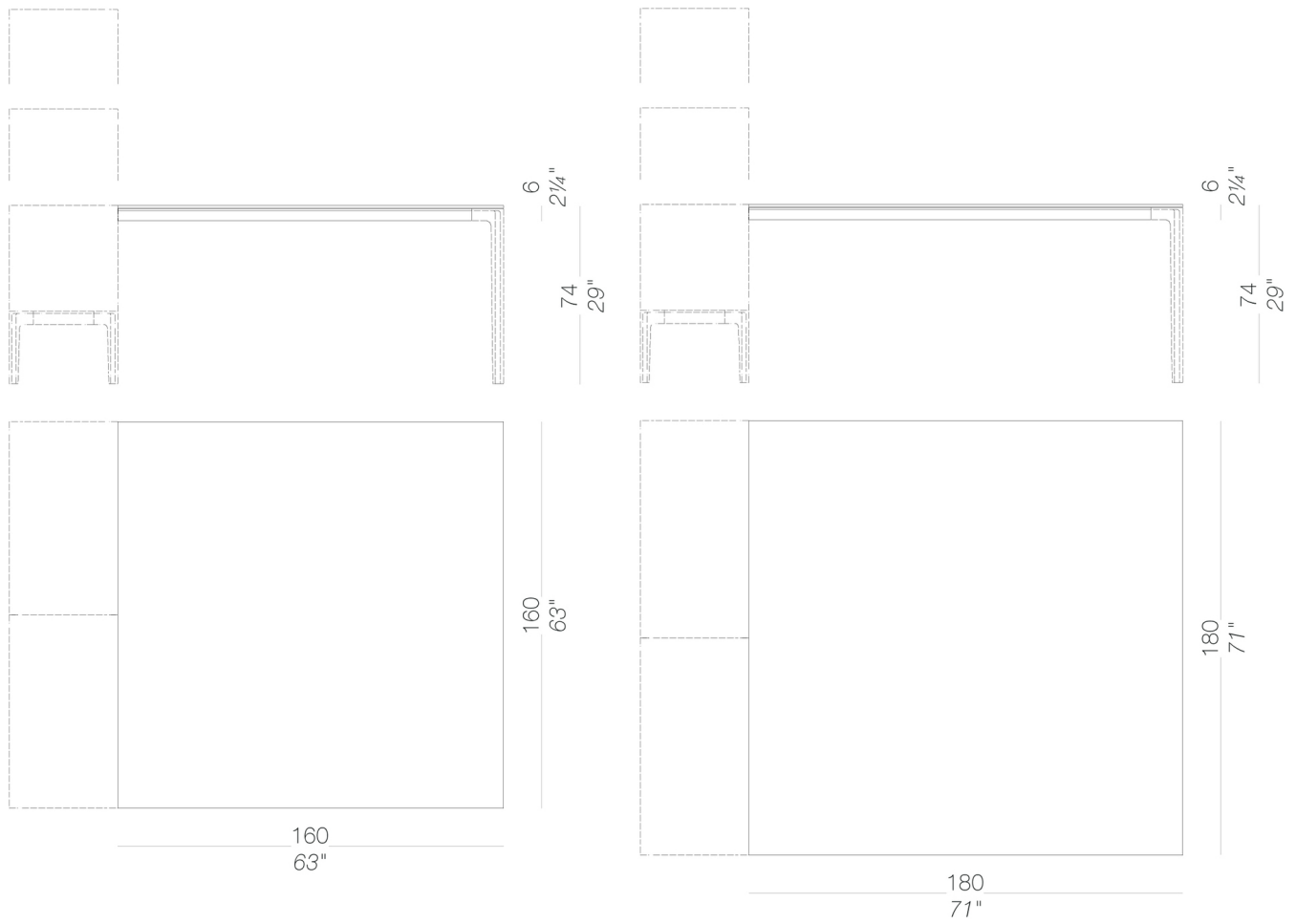
Modular system of ADD T tables linked with ADD S storage units, which offer several furniture solutions for the office. Frame in aluminium with tops in HPL Fenix®, or in plywood blanché oak veneered or black open pore. Storage units in powder coated metal, with shelves, drawers, backs and doors in several finishes. ADD SYSTEM can be combined with the seating system ADD.

tops



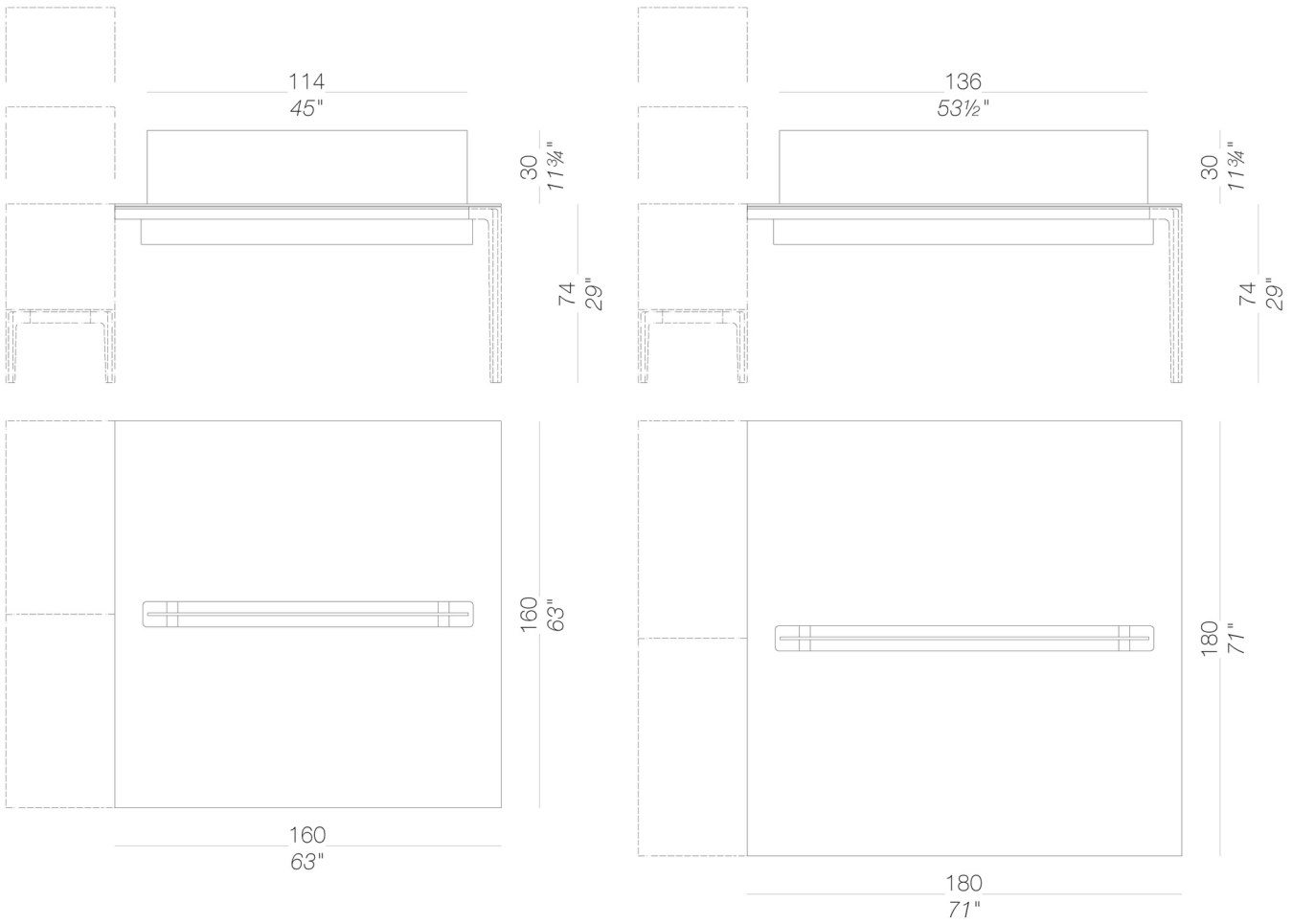
ADD SYSTEM

Francesco Rota | 2016

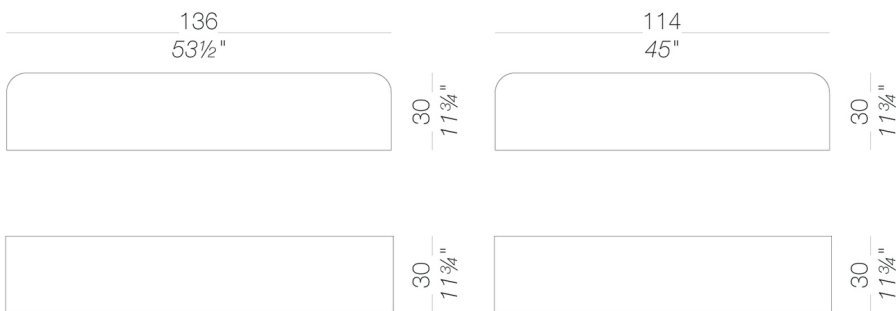


ADD SYSTEM

Francesco Rota | 2016



partition panel



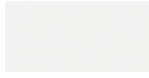
ADD SYSTEM

Francesco Rota | 2016

frame



powder coating
black
1 Colors



powder coating
white
1 Colors

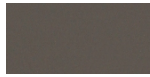
top



HPL 10 mm
black HPL fenix
1 Colors



HPL 10 mm
white HPL fenix
1 Colors



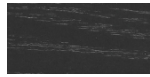
HPL 10 mm
HPL fenix grigio
Londra
1 Colors



HPL 10 mm
HPL fenix rosso
Jaipur
1 Colors



wood
blached oak
1 Colors



wood
black open pore
1 Colors

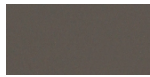
modesty panel



HPL 10 mm
white HPL fenix
1 Colors



HPL 10 mm
black HPL fenix
1 Colors



HPL 10 mm
HPL fenix grigio
Londra
1 Colors

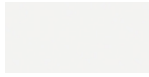


HPL 10 mm
HPL fenix rosso
Jaipur
1 Colors

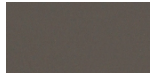
partition panel



HPL 10 mm
black HPL fenix
1 Colors



HPL 10 mm
white HPL fenix
1 Colors



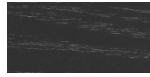
HPL 10 mm
HPL fenix grigio
Londra
1 Colors



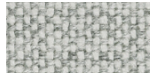
HPL 10 mm
HPL fenix rosso
Jaipur
1 Colors



wood
blached oak
1 Colors



wood
black open pore
1 Colors



fabric
Hallingdal 65 -
Grade C
58 Colors



fabric
Canvas 2 - Grade C
45 Colors



fabric
Steelcut Trio 3 -
Grade D
54 Colors



fabric
Remix 3 - Grade C
72 Colors



fabric
Clara 2 - Grade C
24 Colors



fabric
Fiord 2 - Grade C
39 Colors



fabric
Divina MD - Grade
27 Colors



fabric
Divina Melange 3 -
Grade D
38 Colors



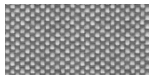
fabric
Tonica 2 - Grade C
39 Colors



fabric
Medley - Grade A
37 Colors



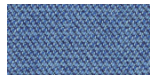
fabric
Jet - Grade A
66 Colors



fabric
Maya - Grade A
43 Colors



fabric
Lapalma Smart -
Grade C
18 Colors



fabric
Capture - Grade B
43 Colors



fabric
Crisp - Grade B
40 Colors



fabric
Nattè - Grade B
30 Colors



fabric
Ilris - Grade B
24 Colors



fabric
Steelcut 3 - Grade D
40 Colors



fabric
Grain - Grade. B
50 Colors



fabric
Fortezza 68 - Grade
B
53 Colors



fabric
Re-wool - Grade C
21 Colors

consult the portfolio for the range of colors, fabrics, eco-leather, soft-leather.

use and maintenance instructions

Clean all parts in wood, leather, fabric and metal with a damp cloth or a diluted neutral cleaner. Do not use cleaners with alcohol, bleach, solvent or abrasive products. Any liquid spilt on the product must be wiped up immediately. When lifting or moving the product, hold it on the structure and not under the seat. The product should not be subjected to unbalanced weights, as it is designed for a proper rest on the foothold (on four legs or on the base). Our company relieves from any responsibility in case of damage caused to fragile floors. Avoid any improper use of the product: do not step on the product, on the footrest or on the armrests. Avoid any movements that could compromise the proper functionality of the product or the safety of the users. Wood and leather, being natural materials, could be easily damaged. Small impurities or imperfections are within quality standard range. Do not expose the product to weather conditions or atmospheric agents, nor to heat sources over 40°C. Also products for outdoor use could be afflicted by atmospheric agents. The product could undergo possible exterior changes due to particular exposure to heat, humidity and saltiness. An appropriate and frequent maintenance and cleaning of the product enhances its durability. The product could change colour and shade, if exposed to direct sunlight. Maintenance has to be carried out by experienced staff. Dispose of the package only after assembling the product, in order to avoid the loss of ironmongery and components. Once the product has been dismantled, the product itself or its components must be given to the public garbage disposal system, according to the legislation in force.