

FEDRA

Leonardo Rossano | 2004



FEDRA

Leonardo Rossano | 2004

Happily Nordic with its lightness and minimalism, FEDRA is a tribute to the Danish modernist tradition. With the minimalist embracing design of its backrest, a natural continuum with the seat, this chair gracefully and elegantly fulfils the needs of any environment, from restaurants to homes, for enjoyable social gatherings.

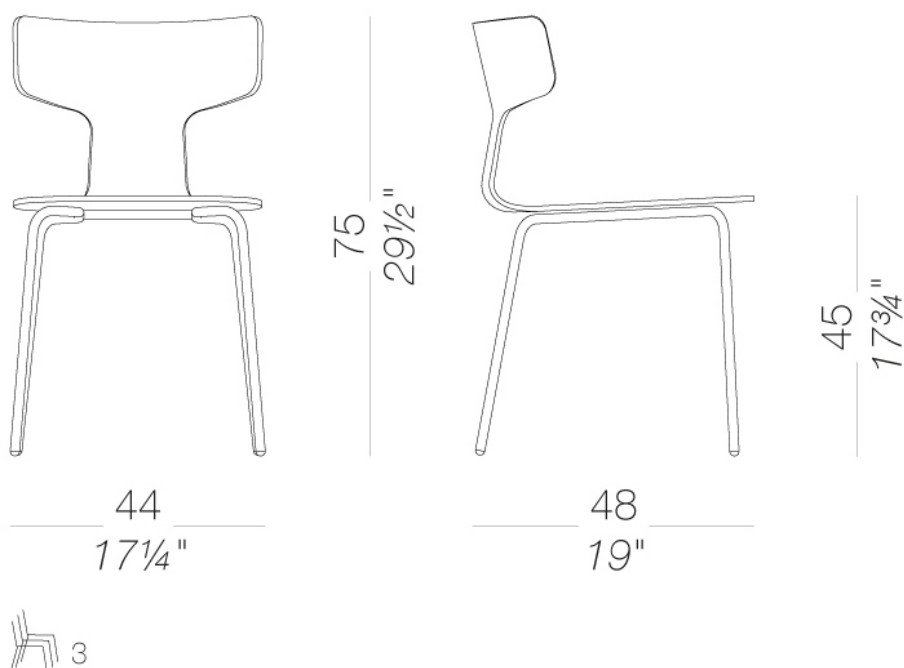


FEDRA

Leonardo Rossano | 2004

| S200 Wood seat and metal base

Stackable chair with steel base powder coated or mat chromed. Seat in moulded plywood in several finishes. Glides in nylon with felt.

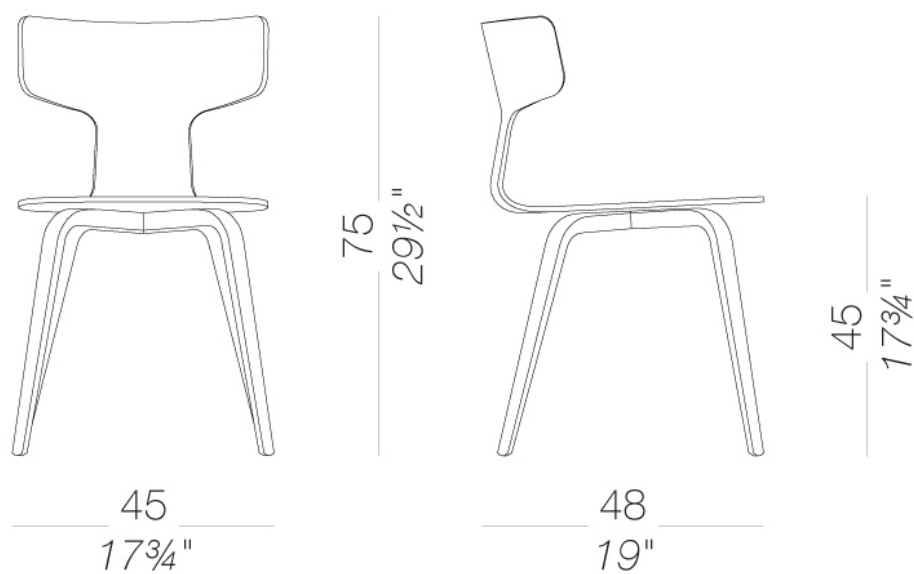


FEDRA

Leonardo Rossano | 2004

| S202 Entirely made of wood

Chair with seat and legs in moulded plywood in several finishes. Glides in nylon with felt.



FEDRA

Leonardo Rossano | 2004

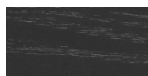
frame



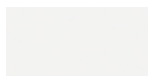
wood
blanching oak
1 Colors



powder coating
black
1 Colors



wood
black open pore
1 Colors



powder coating
white
1 Colors

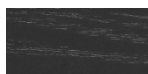


metal
mat chromed
1 Colors

shell



wood
blanching oak
1 Colors



wood
black open pore
1 Colors

consult the portfolio for the range of colors, fabrics, eco-leather, soft-leather.

use and maintenance instructions

Clean all parts in wood, leather, fabric and metal with a damp cloth or a diluted neutral cleaner. Do not use cleaners with alcohol, bleach, solvent or abrasive products. Any liquid spilt on the product must be wiped up immediately. When lifting or moving the product, hold it on the structure and not under the seat. The product should not be subjected to unbalanced weights, as it is designed for a proper rest on the foothold (on four legs or on the base). Our company relieves from any responsibility in case of damage caused to fragile floors. Avoid any improper use of the product: do not step on the product, on the footrest or on the armrests. Avoid any movements that could compromise the proper functionality of the product or the safety of the users. Wood and leather, being natural materials, could be easily damaged. Small impurities or imperfections are within quality standard range. Do not expose the product to weather conditions or atmospheric agents, nor to heat sources over 40°C. Also products for outdoor use could be afflicted by atmospheric agents. The product could undergo possible exterior changes due to particular exposure to heat, humidity and saltiness. An appropriate and frequent maintenance and cleaning of the product enhances its durability. The product could change colour and shade, if exposed to direct sunlight. Maintenance has to be carried out by experienced staff. Dispose of the package only after assembling the product, in order to avoid the loss of ironmongery and components. Once the product has been dismantled, the product itself or its components must be given to the public garbage disposal system, according to the legislation in force.