

GLOVE

Francesco Rota | 2022



GLOVE

Francesco Rota | 2022

"You wear it like a glove, it fits you like a glove." Every time we read these words, we knew what a wonderful feeling characters were experiencing. Whether it was a dress, a house, a love story, that experience was perfect, the body and thoughts moved with absolute naturalness and elegance, and life flowed happily. So when Francesco Rota thought of a name for his new stool, he had no doubts and named it GLOVE. Same pleasant comfort in the wide seat. Same enveloping profile. And above all, same ease in assembling and recycling each element. And given the tradition, we throw down a gauntlet to find a more beautiful solution for every moment of relaxation.

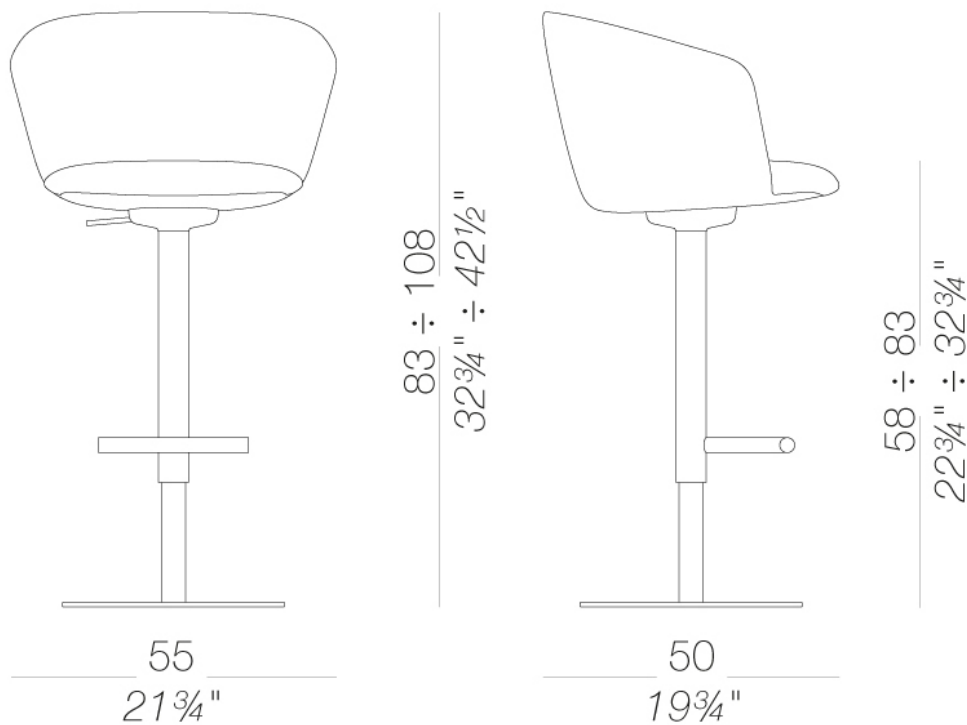


GLOVE

Francesco Rota | 2022

| S471 height adjustable stool

Stool with swivel seat and adjustable height. Frame and base in powder coated steel. Shell in rigid polyurethane upholstered with injected polyurethane fire retardant foam and covered with fabric without any glue. Felt under the base.

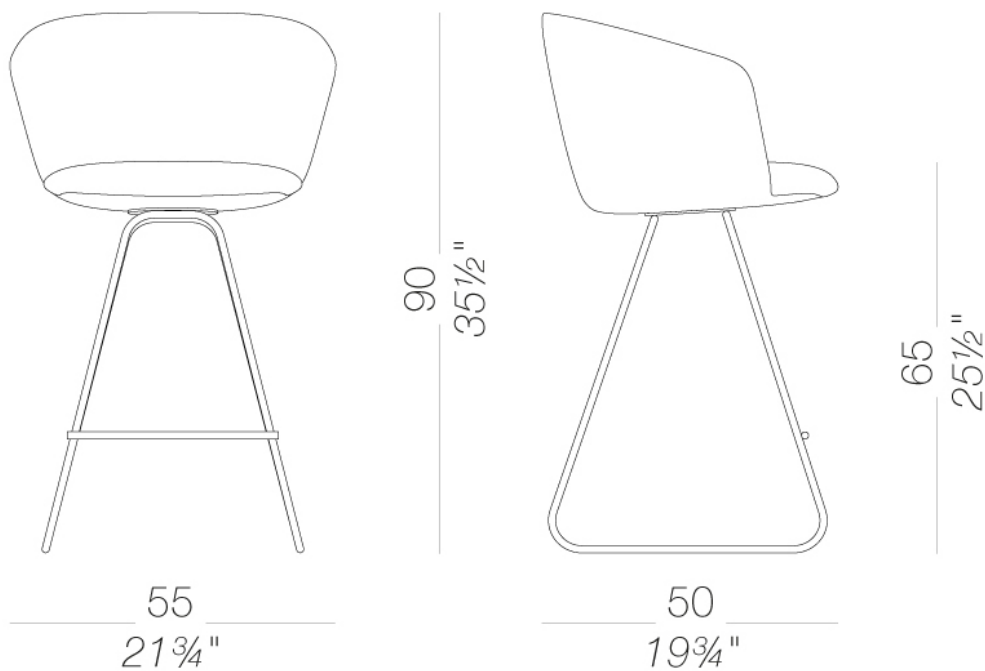


GLOVE

Francesco Rota | 2022

| S472 sled base stool h65

Stool with frame in steel rod powder coated. Shell in rigid polyurethane upholstered with injected polyurethane fire retardant foam and covered with fabric without any glue. Glides in polypropylene with insert in felt or plastic.

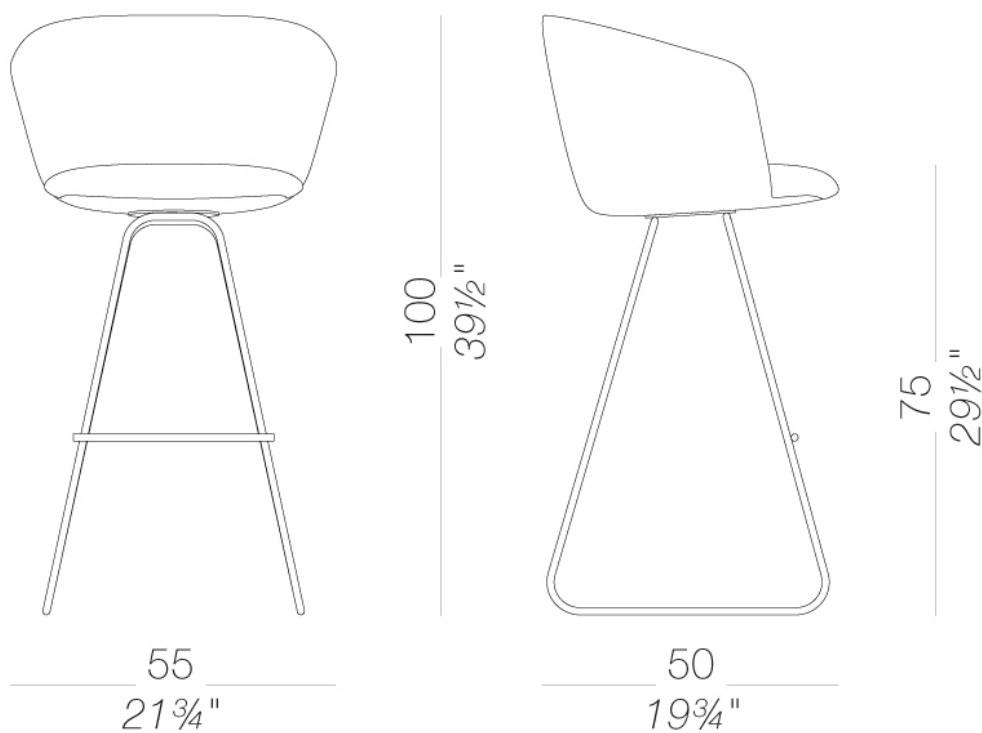


GLOVE

Francesco Rota | 2022

| S473 sled base stool h75

Stool with frame in steel rod powder coated. Shell in rigid polyurethane upholstered with injected polyurethane fire retardant foam and covered with fabric without any glue. Glides in polypropylene with insert in felt or plastic.



GLOVE

Francesco Rota | 2022

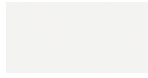
frame



powder coating
black
1 Colors



powder coating
black
1 Colors

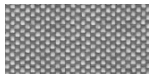


powder coating
white
1 Colors

upholstery



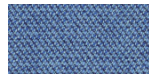
fabric
Jet - Grade A
66 Colors



fabric
Maya - Grade A
43 Colors



fabric
Medley - Grade A
37 Colors



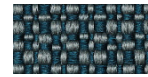
fabric
Capture - Grade B
43 Colors



fabric
Crisp - Grade B
40 Colors



fabric
Nattè - Grade B
30 Colors



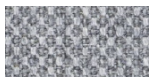
fabric
Ilris - Grade B
24 Colors



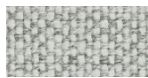
fabric
Canvas 2 - Grade C
45 Colors



fabric
Clara 2 - Grade C
24 Colors



fabric
Fiord 2 - Grade C
39 Colors



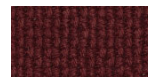
fabric
Hallingdal 65 -
Grade C
58 Colors



fabric
Remix 3 - Grade C
72 Colors



fabric
Tonica 2 - Grade C
39 Colors



fabric
Lapalma Smart -
Grade C
18 Colors



fabric
Divina MD - Grade
D
27 Colors



fabric
Divina Melange 3 -
Grade D
38 Colors



fabric
Steelcut 3 - Grade
D
40 Colors



fabric
Steelcut Trio 3 -
Grade D
54 Colors



soft-leather
soft-leather
7 Colors



ecoleather
GRIMM FR - Grade
A
32 Colors



ecoleather
Valencia - Grade B
66 Colors

consult the portfolio for the range of colors, fabrics, eco-leather, soft-leather.

use and maintenance instructions

Clean all parts in wood, leather, fabric and metal with a damp cloth or a diluted neutral cleaner. Do not use cleaners with alcohol, bleach, solvent or abrasive products. Any liquid spilt on the product must be wiped up immediately. When lifting or moving the product, hold it on the structure and not under the seat. The product should not be subjected to unbalanced weights, as it is designed for a proper rest on the foothold (on four legs or on the base). Our company relieves from any responsibility in case of damage caused to fragile floors. Avoid any improper use of the product: do not step on the product, on the footrest or on the armrests. Avoid any movements that could compromise the proper functionality of the product or the safety of the users. Wood and leather, being natural materials, could be easily damaged. Small impurities or imperfections are within quality standard range. Do not expose the product to weather conditions or atmospheric agents, nor to heat sources over 40°C. Also products for outdoor use could be afflicted by atmospheric agents. The product could undergo possible exterior changes due to particular exposure to heat, humidity and saltiness. An appropriate and frequent maintenance and cleaning of the product enhances its durability. The product could change colour and shade, if exposed to direct sunlight. Maintenance has to be carried out by experienced staff. Dispose of the package only after assembling the product, in order to avoid the loss of ironmongery and components. Once the product has been dismantled, the product itself or its components must be given to the public garbage disposal system, according to the legislation in force.