

LAB

Karri Monni | 2014



LAB

Karri Monni | 2014

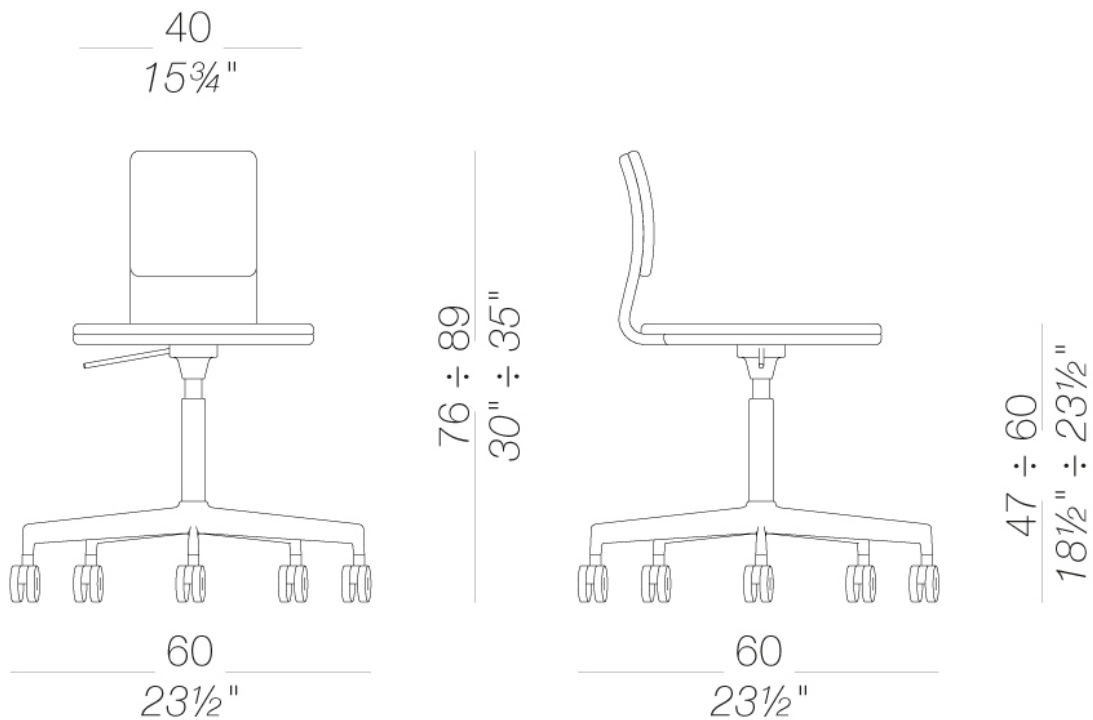
Dynamic and focused like a contemporary working day. With its backrest and height adjustment, the LAB stool has the “shape” to adapt itself to any working needs. A classic of industrial design, it features the latest colours and a modern profile.



| S70 height-adjustable with backrest H47 ÷ 60

Stool with swivel seat and adjustable height with die-cast aluminium base, sandblasted or powder coated, and self-braking castors. Seat and backrest in plywood upholstered with fire-retardant polyurethane foam and covered with fabric, soft leather or eco-leather. The back-rest is height adjustable.

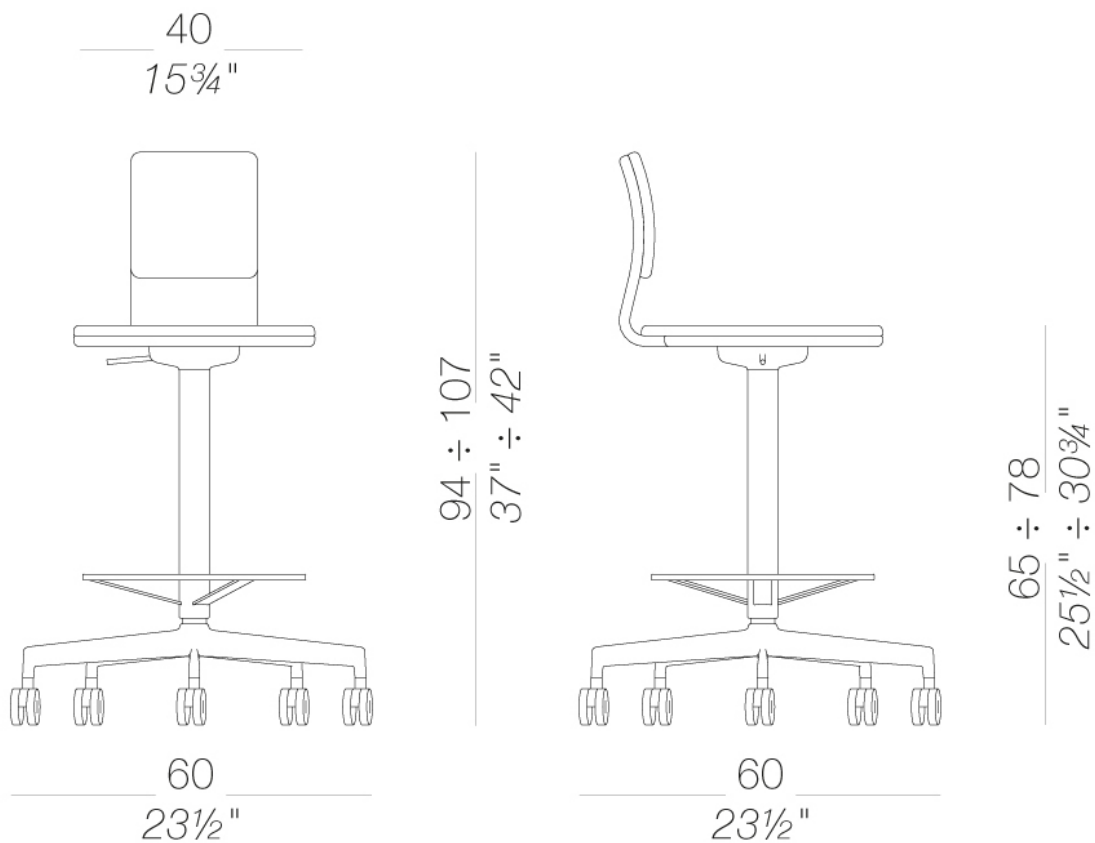
TEST EN 1728:2012 AC:2013 6.17 - EN 16139:2013 - L2 extreme
TEST 1 IM - Hallingdal



| S71 stool with backrest and footrest H65 ÷ 78

Stool with swivel seat and adjustable height with die-cast aluminium base with footrest, sandblasted or powder coated, and self-braking castors. Seat and backrest in plywood upholstered with fire-retardant polyurethane foam and covered with fabric, soft leather or eco-leather. The back-rest is height adjustable.

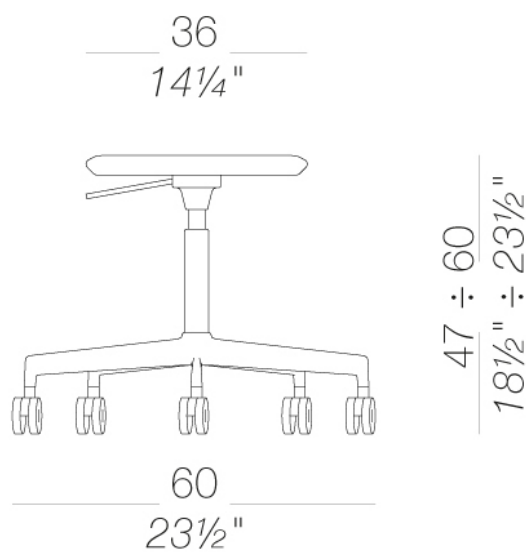
TEST 1 IM - Hallingdal



| S72 swivel and height-adjustable stool H47 ÷ 60

Stool with swivel seat and adjustable height with die-cast aluminium base, sandblasted or powder coated, and self-braking castors. Seat in MDF upholstered with fire-retardant polyurethane foam and covered with fabric, soft leather or eco-leather.

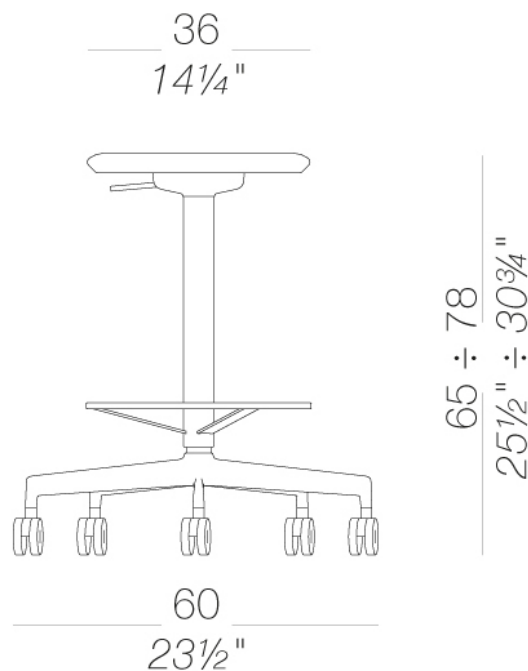
TEST 1 IM - Hallingdal



| S73 stool with footrest, height-adjustable and backrest H65 ÷ 78

Stool with swivel seat and adjustable height with die-cast aluminium base with footrest, sandblasted or powder coated, and self-braking castors. Seat in MDF upholstered with fire-retardant polyurethane foam and covered with fabric, soft leather or eco-leather.

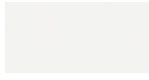
TEST 1 IM - Hallingdal



frame



powder coating
black
1 Colors

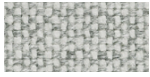


powder coating
white
1 Colors



metal
aluminium
1 Colors

upholstery



fabric
Hallingdal 65
58 Colors



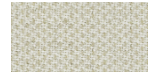
fabric
Canvas 2
45 Colors



fabric
Steelcut Trio 3
54 Colors



fabric
Remix 3
72 Colors



fabric
Clara 2
24 Colors



fabric
Fiord 2
39 Colors



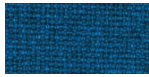
fabric
Divina MD
27 Colors



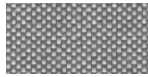
fabric
Divina Melange 3
38 Colors



fabric
Tonica 2
39 Colors



fabric
Medley
37 Colors



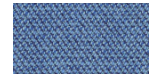
fabric
Maya
43 Colors



fabric
Jet
66 Colors



fabric
Lapalma Smart
18 Colors



fabric
Capture
43 Colors



fabric
Crisp
40 Colors



fabric
Nattè
23 Colors



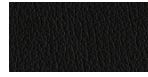
fabric
Iris
24 Colors



fabric
Steelcut 3
37 Colors



soft-leather
soft-leather
7 Colors



ecoleather
GRIMM FR
24 Colors



ecoleather
Valencia
59 Colors

consult the portfolio for the range of colors, fabrics, eco-leather, soft-leather.

use and maintenance instructions

Clean all parts in wood, leather, fabric and metal with a damp cloth or a diluted neutral cleaner. Do not use cleaners with alcohol, bleach, solvent or abrasive products. Any liquid spilt on the product must be wiped up immediately. When lifting or moving the product, hold it on the structure and not under the seat. The product should not be subjected to unbalanced weights, as it is designed for a proper rest on the foothold (on four legs or on the base). Our company relieves from any responsibility in case of damage caused to fragile floors. Avoid any improper use of the product: do not step on the product, on the footrest or on the armrests. Avoid any movements that could compromise the proper functionality of the product or the safety of the users. Wood and leather, being natural materials, could be easily damaged. Small impurities or imperfections are within quality standard range. Do not expose the product to weather conditions or atmospheric agents, nor to heat sources over 40°C. Also products for outdoor use could be afflicted by atmospheric agents. The product could undergo possible exterior changes due to particular exposure to heat, humidity and saltiness. An appropriate and frequent maintenance and cleaning of the product enhances its durability. The product could change colour and shade, if exposed to direct sunlight. Maintenance has to be carried out by experienced staff. Dispose of the package only after assembling the product, in order to avoid the loss of ironmongery and components. Once the product has been dismantled, the product itself or its components must be given to the public garbage disposal system, according to the legislation in force.