

PASS

Hee Welling | 2012



PASS

Hee Welling | 2012

Like waves on a calm day, they rise, gently fall and extend as far as the sand, infinitely. PASS armchairs are inspired by these lines, expressing the continuous rhythm of the sea in their profile. The design is fluid and embracing. The wide base adds lightness and comfort to the seat. Pass is ideal for the office or the home, and for those waiting in an airport lounge, dreaming of departing.



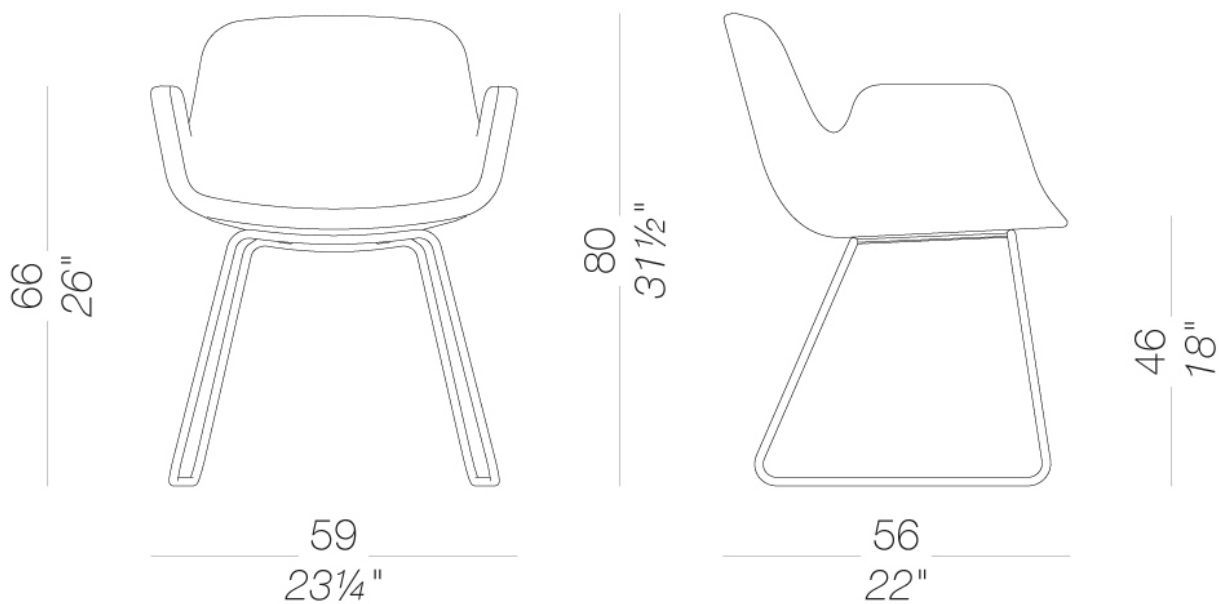
PASS

Hee Welling | 2012

| S130 Upholstered with slide-frame base

Chair with sled base in mat chromed steel or powder coated. Shell with internal metal frame upholstered with fire resistant moulded foam and covered with fabric, ecoleather or leather, also two-tone. Glides in polythene

TEST 1 IM - Divina, Grimm, Hallingdal, Maya, Remix



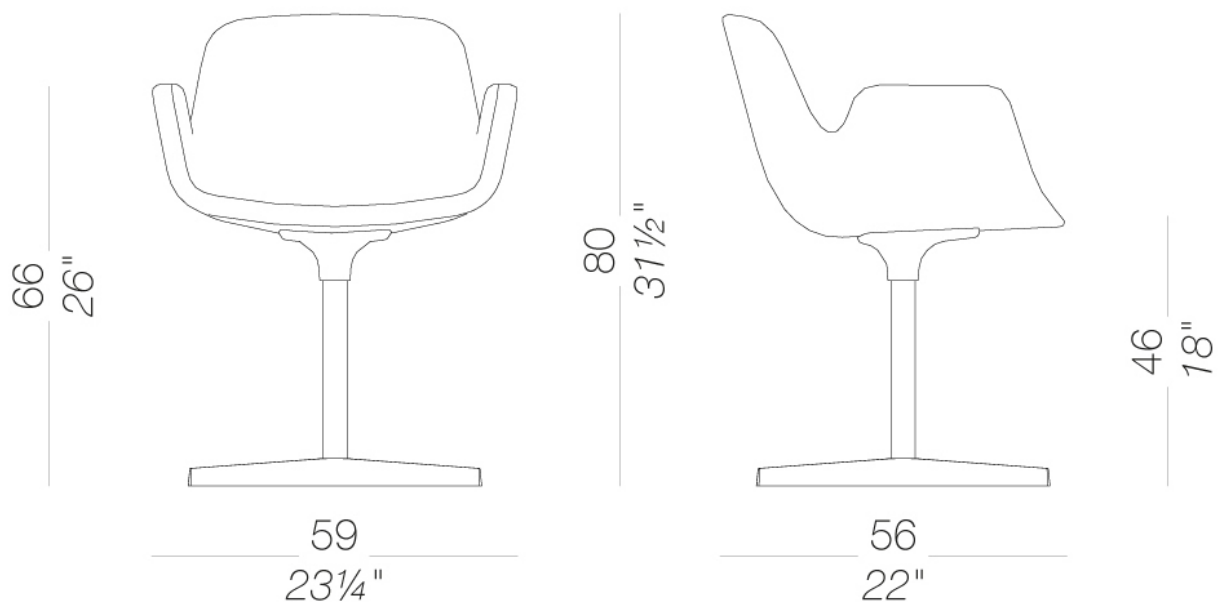
PASS

Hee Welling | 2012

| S131 Star-shaped swivel base

Chair with star swivel base in sandblasted aluminium or powder coated. Shell with internal metal frame upholstered with fire resistant moulded foam and covered with fabric, ecoleather or leather, also two-tone. Glides in polythene.

TEST EN 1728:2000 6.7 - EN 15373:2007 - L3 severe
TEST 1 IM - Divina, Grimm, Hallingdal, Maya, Remix



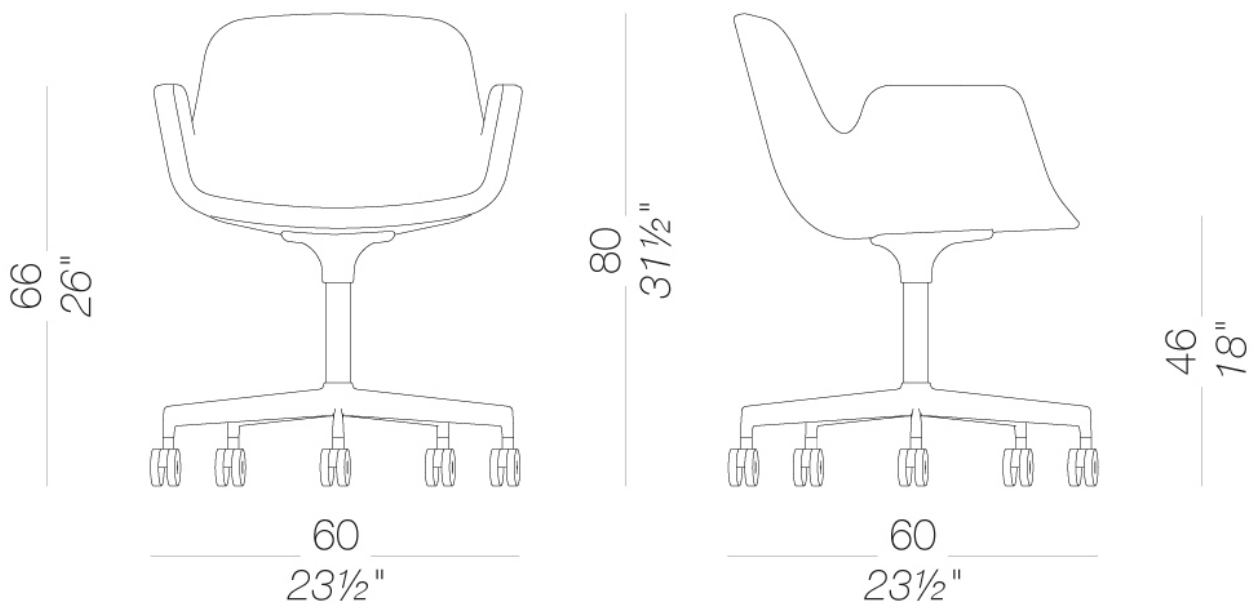
PASS

Hee Welling | 2012

| S134

Chair with 5 star swivel base in sandblasted aluminium or powder coated and self-braking castors. Shell with internal metal frame upholstered with fire resistant moulded foam and covered with fabric, ecoleather or leather, also two-tone.

TEST EN 1728:2012 AC:2013 6.17 - EN 16139:2013 - L2 extreme
TEST 1 IM - Divina, Grimm, Hallingdal, Maya, Remix



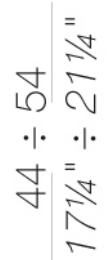
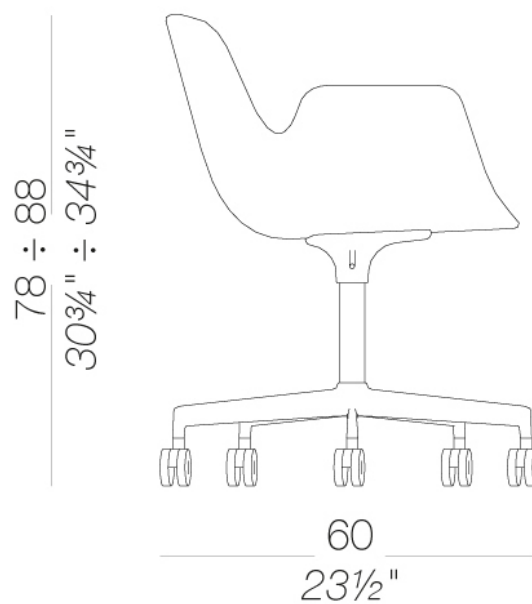
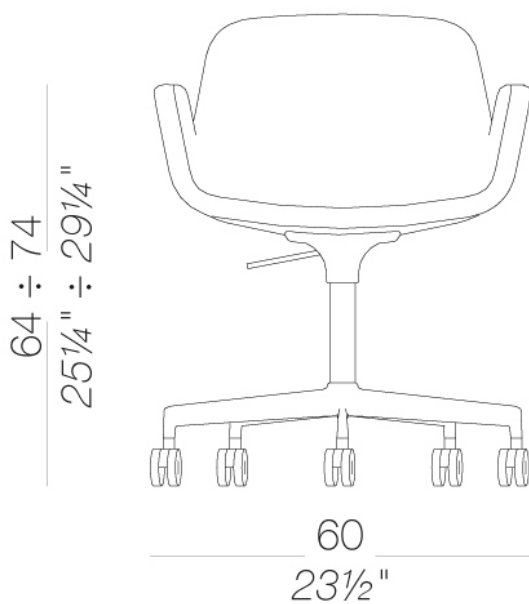
PASS

Hee Welling | 2012

| S135 Upholstered and height-adjustable

Height adjustable chair with 5 star swivel base in sandblasted aluminium or powder coated and self-braking castors. Shell with internal metal frame upholstered with fire resistant moulded foam and covered with fabric, ecoleather or leather, also two-tone.

TEST 1 IM - Divina, Grimm, Hallingdal, Maya, Remix



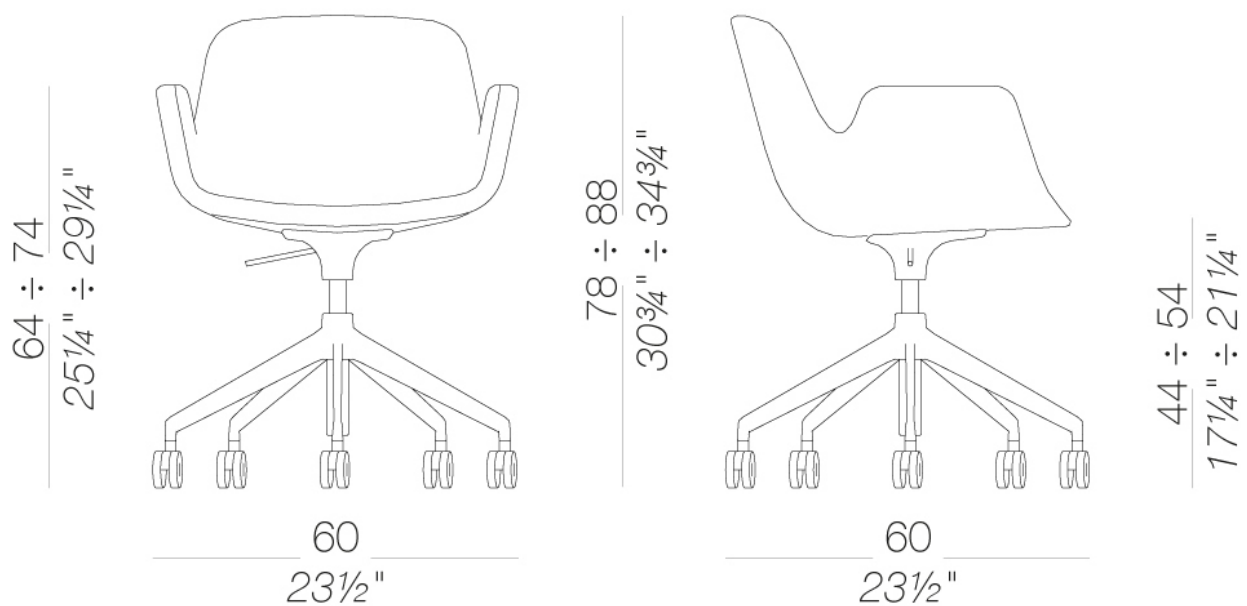
PASS

Hee Welling | 2012

| S136 Height-adjustable, pyramidal base, on castors

Height adjustable chair with 5 star swivel base in sandblasted aluminium or powder coated and self-braking castors. Shell with internal metal frame upholstered with fire resistant moulded foam and covered with fabric, ecoleather or leather, also two-tone.

TEST 1 IM - Divina, Grimm, Hallingdal, Maya, Remix



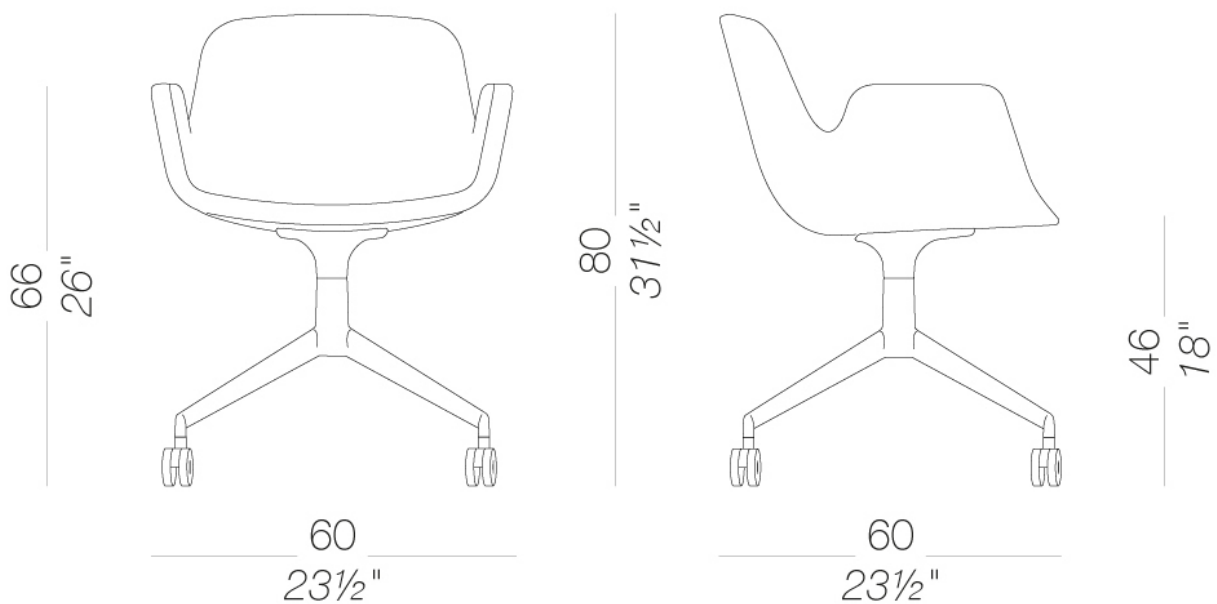
PASS

Hee Welling | 2012

| S168 Upholstered armchair, 4-spoke base, on castors

Chair with trestle base in sandblasted aluminium or powder coated and self-braking castors. Shell with internal metal frame upholstered with fire resistant moulded foam and covered with fabric, ecoleather or leather, also two-tone.

TEST 1 IM - Divina, Grimm, Hallingdal, Maya, Remix



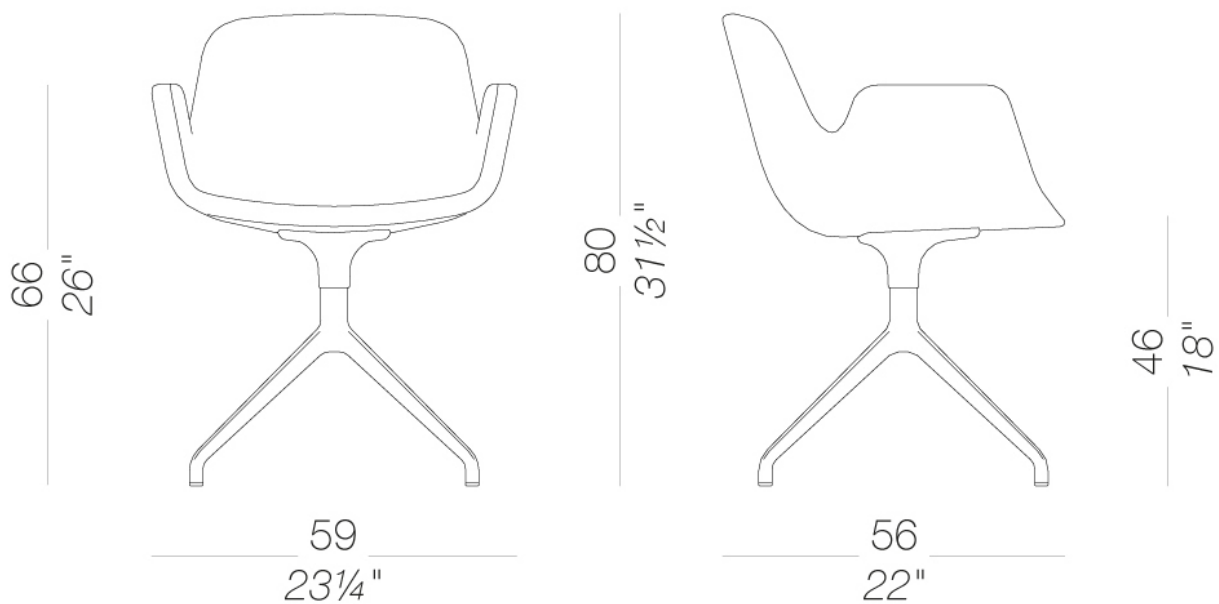
PASS

Hee Welling | 2012

| S119 4-spoke base

Chair with trestle swivel base in sandblasted aluminium or powder coated. Shell with internal metal frame upholstered with fire resistant moulded foam and covered with fabric, ecoleather or leather, also two-tone. Glides in polythene.

TEST 1 IM - Divina, Grimm, Hallingdal, Maya, Remix



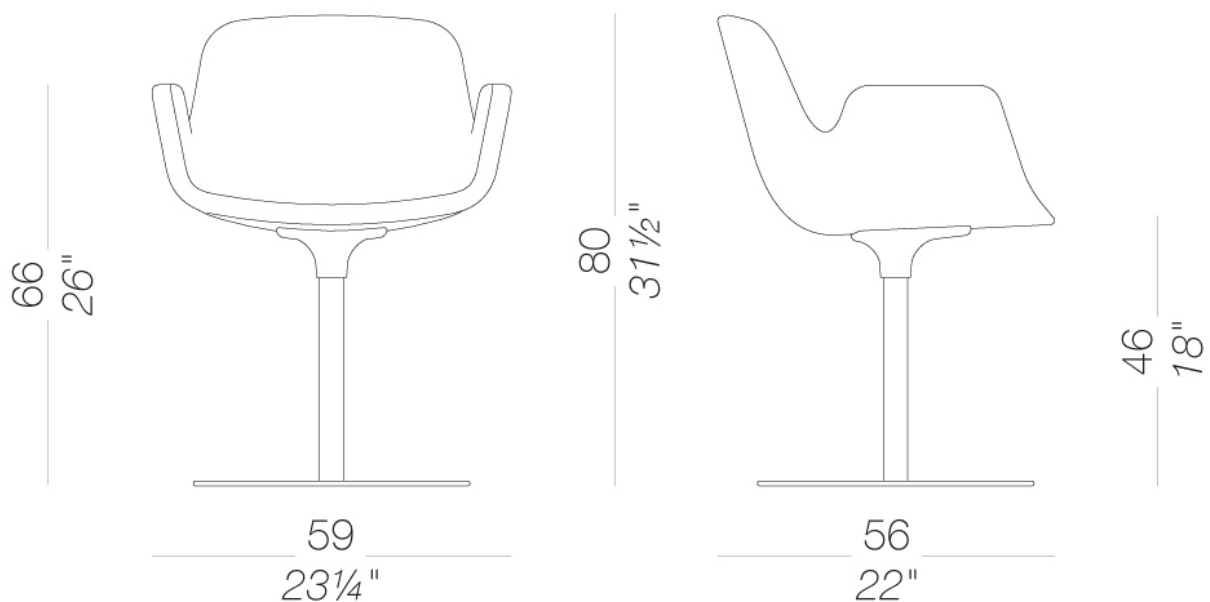
PASS

Hee Welling | 2012

| S121 Round swivel base

Swivel chair with round metal base covered by a stainless steel sheet Aisi 304 "linen fiber" pattern or powder coated. Shell with internal metal frame upholstered with fire resistant moulded foam and covered with fabric, ecoleather or leather, also two-tone. Felt under the base.

TEST 1 IM - Divina, Grimm, Hallingdal, Maya, Remix



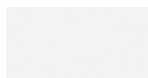
PASS

Hee Welling | 2012

frame



powder coating
black
1 Colors



powder coating
white
1 Colors



metal
mat chromed
1 Colors



metal
aluminium
1 Colors



metal
stainless steel
1 Colors

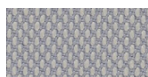
upholstery



fabric
Hallingdal 65
58 Colors



fabric
Canvas 2
45 Colors



fabric
Steelcut Trio 3
54 Colors



fabric
Remix 3
72 Colors



fabric
Clara 2
24 Colors



fabric
Fiord 2
39 Colors



fabric
Divina MD
27 Colors



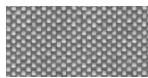
fabric
Divina Melange 3
38 Colors



fabric
Tonica 2
39 Colors



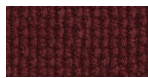
fabric
Medley
37 Colors



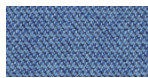
fabric
Maya
43 Colors



fabric
Jet
66 Colors



fabric
Lapalma Smart
18 Colors



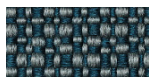
fabric
Capture
43 Colors



fabric
Crisp
40 Colors



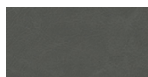
fabric
Nattè
30 Colors



fabric
Iris
24 Colors



fabric
Steelcut 3
40 Colors



soft-leather
soft-leather
7 Colors



ecoleather
GRIMM FR
24 Colors



ecoleather
Valencia
59 Colors

consult the portfolio for the range of colors, fabrics, eco-leather, soft-leather.

use and maintenance instructions

Clean all parts in wood, leather, fabric and metal with a damp cloth or a diluted neutral cleaner. Do not use cleaners with alcohol, bleach, solvent or abrasive products. Any liquid spilt on the product must be wiped up immediately. When lifting or moving the product, hold it on the structure and not under the seat. The product should not be subjected to unbalanced weights, as it is designed for a proper rest on the foothold (on four legs or on the base). Our company relieves from any responsibility in case of damage caused to fragile floors. Avoid any improper use of the product: do not step on the product, on the footrest or on the armrests. Avoid any movements that could compromise the proper functionality of the product or the safety of the users. Wood and leather, being natural materials, could be easily damaged. Small impurities or imperfections are within quality standard range. Do not expose the product to weather conditions or atmospheric agents, nor to heat sources over 40°C. Also products for outdoor use could be afflicted by atmospheric agents. The product could undergo possible exterior changes due to particular exposure to heat, humidity and saltiness. An appropriate and frequent maintenance and cleaning of the product enhances its durability. The product could change colour and shade, if exposed to direct sunlight. Maintenance has to be carried out by experienced staff. Dispose of the package only after assembling the product, in order to avoid the loss of ironmongery and components. Once the product has been dismantled, the product itself or its components must be given to the public garbage disposal system, according to the legislation in force.