

# SEELA AC

Antti Kotilainen | 2022



# SEELA AC

**Antti Kotilainen** | 2022

The SEELA collection of chairs by Antti Kotilainen is growing and is now complemented with a new addition: a brand-new tub version, created to meet the contract and residential markets even more promptly. A sinuous polypropylene shell rests on an extremely light base, which, in turn, seamlessly continues into the seat, accommodating a rounded wooden insert. The version with an insert acts as a base to create a padded seat for upholstering in fabric. The entire chair can also be upholstered and, if desired, the insert can stand out in a different material. Versatility is the key word to describe a chair with light, clear-cut lines that is extremely functional and has a solid structure, which changes according to the project requirements. It is ideal around a meeting table, as a guest chair and armchair in the coffee bars of companies or professional studios, and the version on castors is particularly suitable for co-working environments. Fully upholstered, it is even more comfortable and elegant and allows you to play with colours, having fun combining the shell in one colour with the seat interior in another.



# SEELA AC

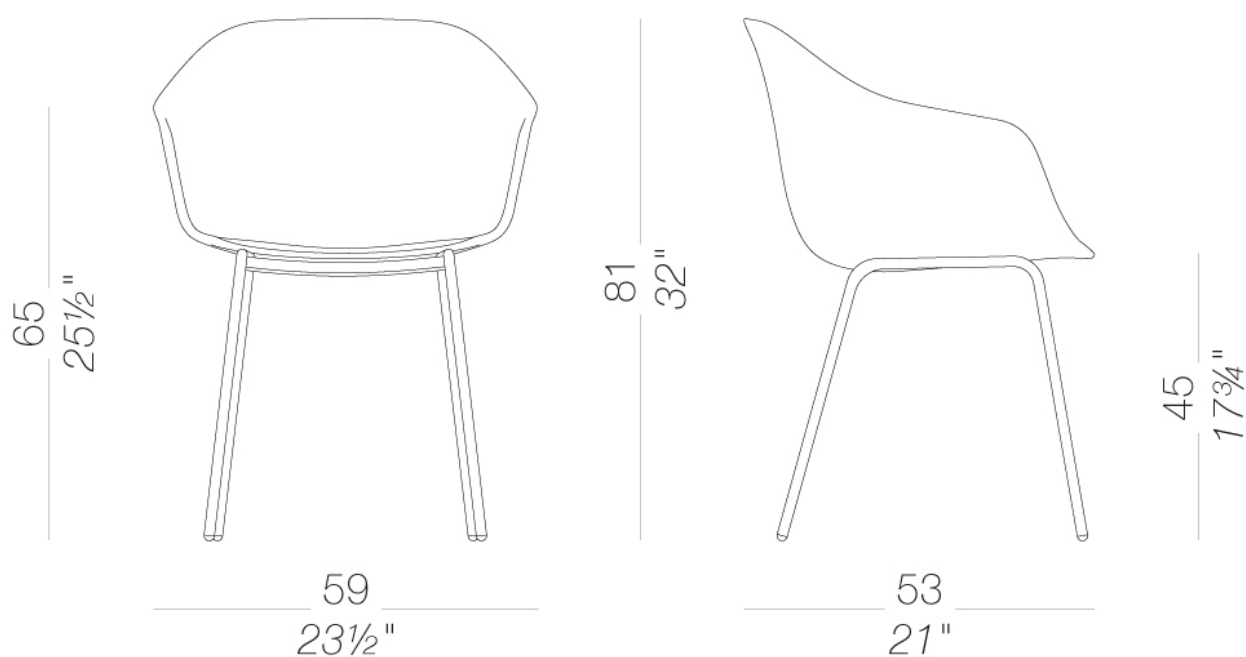
Antti Kotilainen | 2022

## | S312 4-legged

Shell in polypropylene with integrated seamless seatpad in polypropylene, wood or fabric, easily removable with 4 screws and replaceable. A fully upholstered shell without removable seat-pad is also available.

Outer shell in polypropylene. Inner shell in polypropylene, upholstered with fabric.

Base with 4 legs in mat chromed steel or powder coated. Glides in nylon with felt.



# SEELA AC

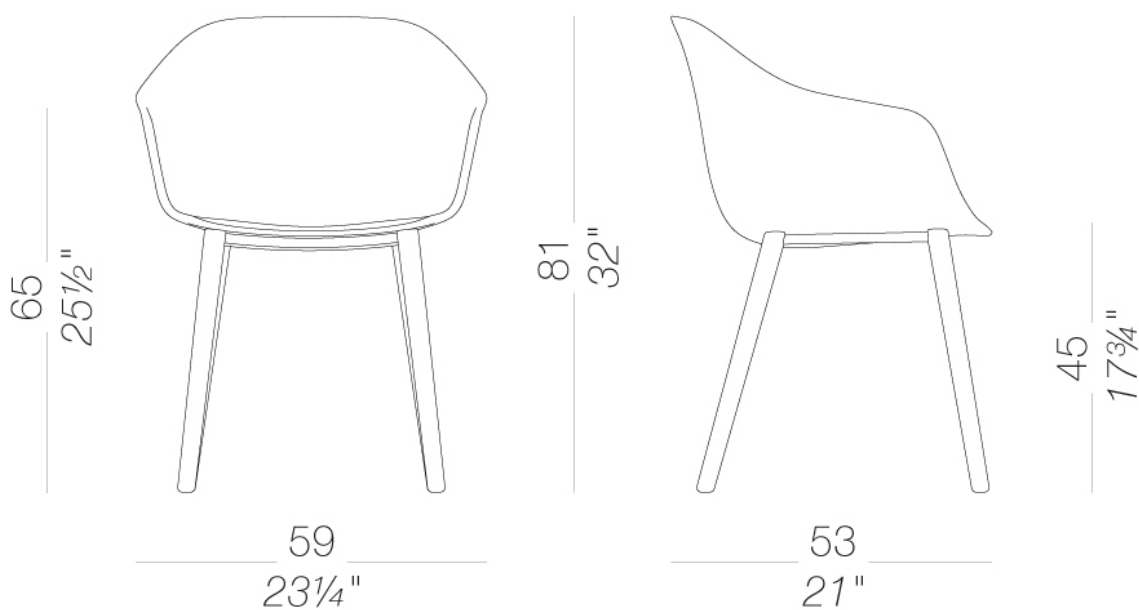
Antti Kotilainen | 2022

## | S313 Chair with wood legs

Shell in polypropylene with integrated seamless seatpad in polypropylene, wood or fabric, easily removable with 4 screws and replaceable. A fully upholstered shell without removable seat-pad is also available.

Outer shell in polypropylene. Inner shell in polypropylene, upholstered with fabric.

Base with 4 legs in solid ash-wood lacquered in several finishes. Glides in nylon with felt.



# SEELA AC

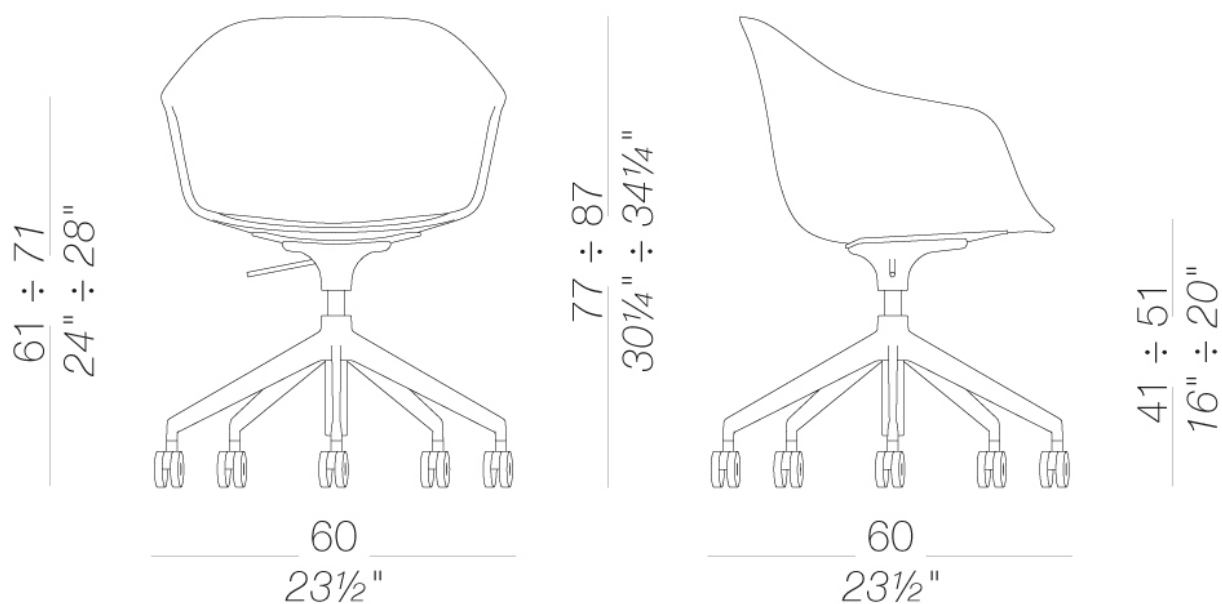
Antti Kotilainen | 2022

## | S340 Height-adjustable with pyramidal base, on castors

Shell in polypropylene with integrated seamless seatpad in polypropylene, wood or fabric, easily removable with 4 screws and replaceable. A fully upholstered shell without removable seat-pad is also available.

Outer shell in polypropylene. Inner shell in polypropylene, upholstered with fabric.

Five-star swivel height adjustable base in sandblasted aluminium or powder coated, with self-braking castors.



# SEELA AC

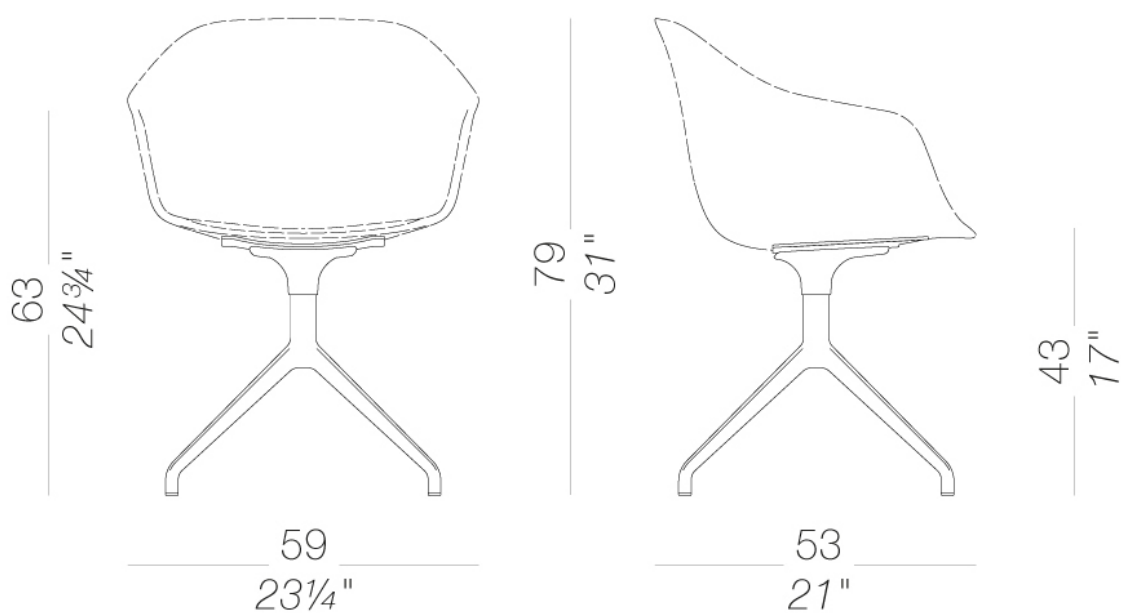
Antti Kotilainen | 2022

## | S344 Trestle swivel base

Shell in polypropylene with integrated seamless seatpad in polypropylene, wood or fabric, easily removable with 4 screws and replaceable. A fully upholstered shell without removable seat-pad is also available.

Outer shell in polypropylene. Inner shell in polypropylene, upholstered with fabric.

Trestle swivel base in sandblasted aluminium or powder coated. Glides in polythene.





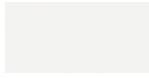
# SEELA AC

Antti Kotilainen | 2022

## frame



powder coating  
black  
1 Colors



powder coating  
white  
1 Colors



metal  
aluminium  
1 Colors

## shell



plastics  
polypropylene  
9 Colors

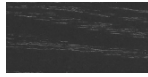
## seat-pad



plastics  
polypropylene  
9 Colors



wood  
blanched oak  
1 Colors



wood  
black open pore  
1 Colors

## upholstery



fabric  
Canvas 2 - Grade C  
45 Colors



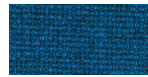
fabric  
Steelcut Trio 3 -  
Grade D  
54 Colors



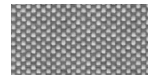
fabric  
Remix 3 - Grade C  
72 Colors



fabric  
Tonica 2 - Grade C  
39 Colors



fabric  
Medley - Grade A  
37 Colors



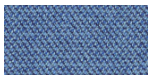
fabric  
Maya - Grade A  
43 Colors



fabric  
Jet - Grade A  
66 Colors



fabric  
Lapalma Smart -  
Grade C  
18 Colors



fabric  
Capture - Grade B  
43 Colors



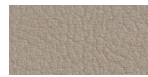
fabric  
Crisp - Grade B  
40 Colors



fabric  
Iris - Grade B  
24 Colors



ecoleather  
GRIMM FR - Grade  
A  
32 Colors



ecoleather  
Valencia - Grade B  
66 Colors

**consult the portfolio for the range of colors, fabrics, eco-leather, soft-leather.**

## use and maintenance instructions

Clean all parts in wood, leather, fabric and metal with a damp cloth or a diluted neutral cleaner. Do not use cleaners with alcohol, bleach, solvent or abrasive products. Any liquid spilt on the product must be wiped up immediately. When lifting or moving the product, hold it on the structure and not under the seat. The product should not be subjected to unbalanced weights, as it is designed for a proper rest on the foothold (on four legs or on the base). Our company relieves from any responsibility in case of damage caused to fragile floors. Avoid any improper use of the product: do not step on the product, on the footrest or on the armrests. Avoid any movements that could compromise the proper functionality of the product or the safety of the users. Wood and leather, being natural materials, could be easily damaged. Small impurities or imperfections are within quality standard range. Do not expose the product to weather conditions or atmospheric agents, nor to heat sources over 40°C. Also products for outdoor use could be afflicted by atmospheric agents. The product could undergo possible exterior changes due to particular exposure to heat, humidity and saltiness. An appropriate and frequent maintenance and cleaning of the product enhances its durability. The product could change colour and shade, if exposed to direct sunlight. Maintenance has to be carried out by experienced staff. Dispose of the package only after assembling the product, in order to avoid the loss of ironmongery and components. Once the product has been dismantled, the product itself or its components must be given to the public garbage disposal system, according to the legislation in force.